



**Installation guideline for
Luna Femma 1x6**

Private House in Finland

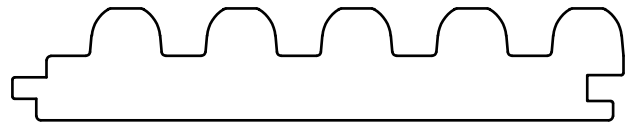


LUNA FEMMA 1x6

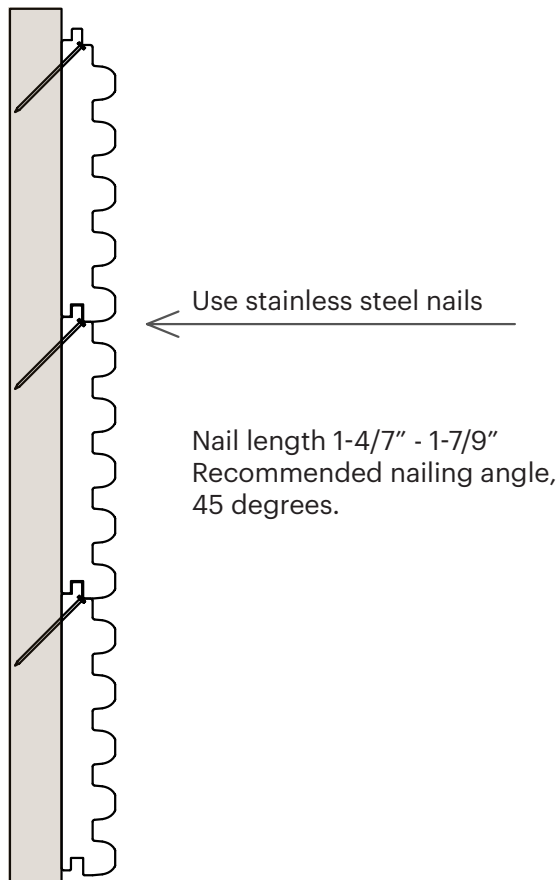
Guideline for Luna Femma installation

Luna Femma is a traditional panel product with five-fingers. It gives a modern twist with 2/5" groove and flattened top.

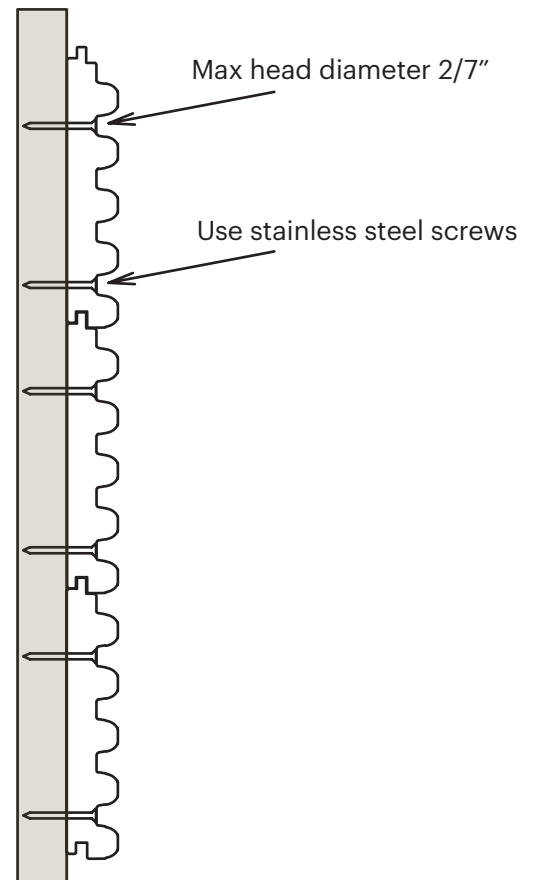
actual size	1" x 5-3/5" (26x142 mm)
class	LunaThermo-D
species	Nordic spruce
length	13-18 ft (3.9 - 5.4 m)
sq.ft	2.27 st/sq.ft (7.4 m/m ²)
joist spacing	16"



Indoor application:



Outdoor application:

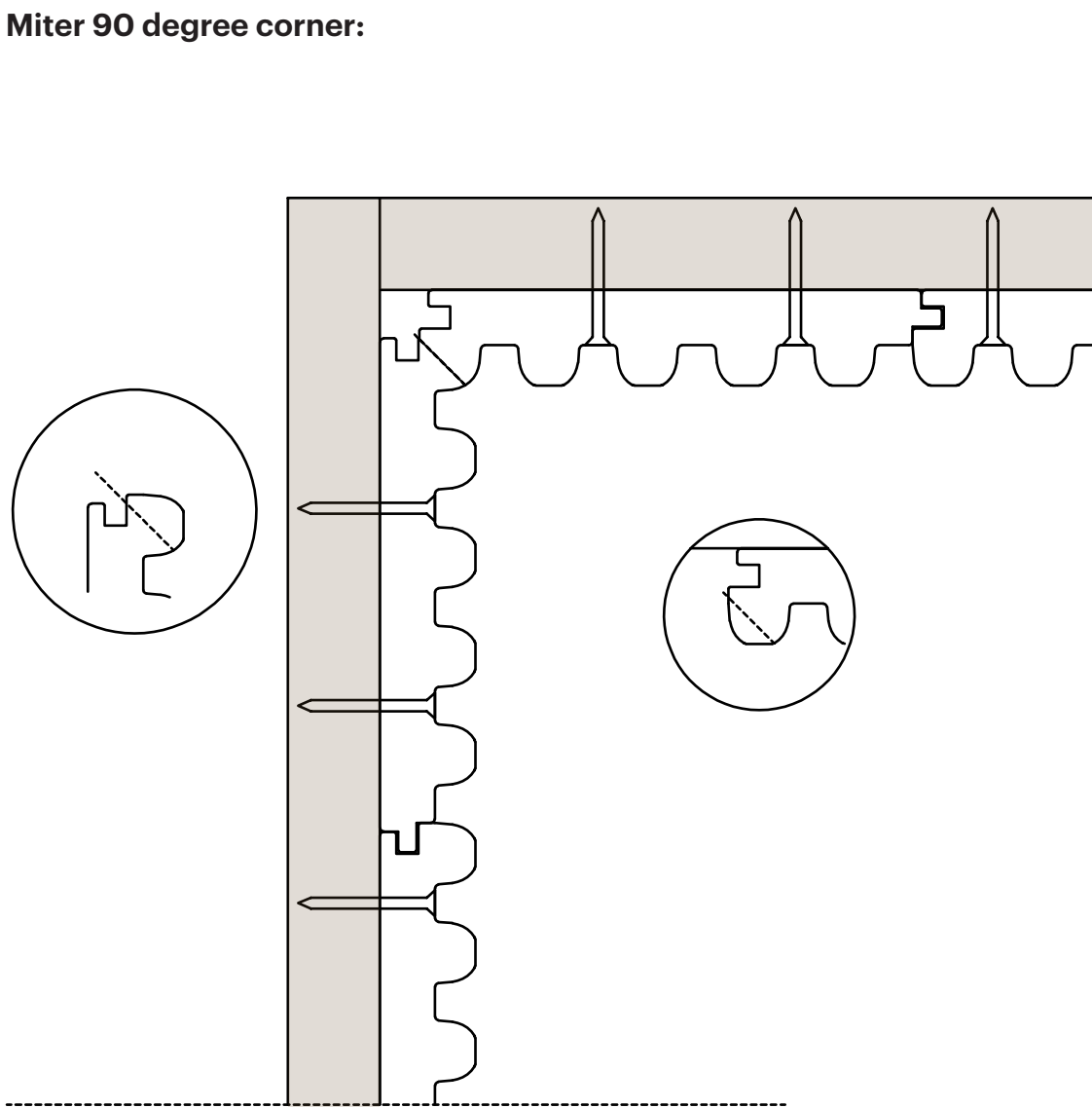


LUNA FEMMA 1x6

Guideline for Luna Femma installation

Luna Femma internal corner installations:

Miter 90 degree corner:

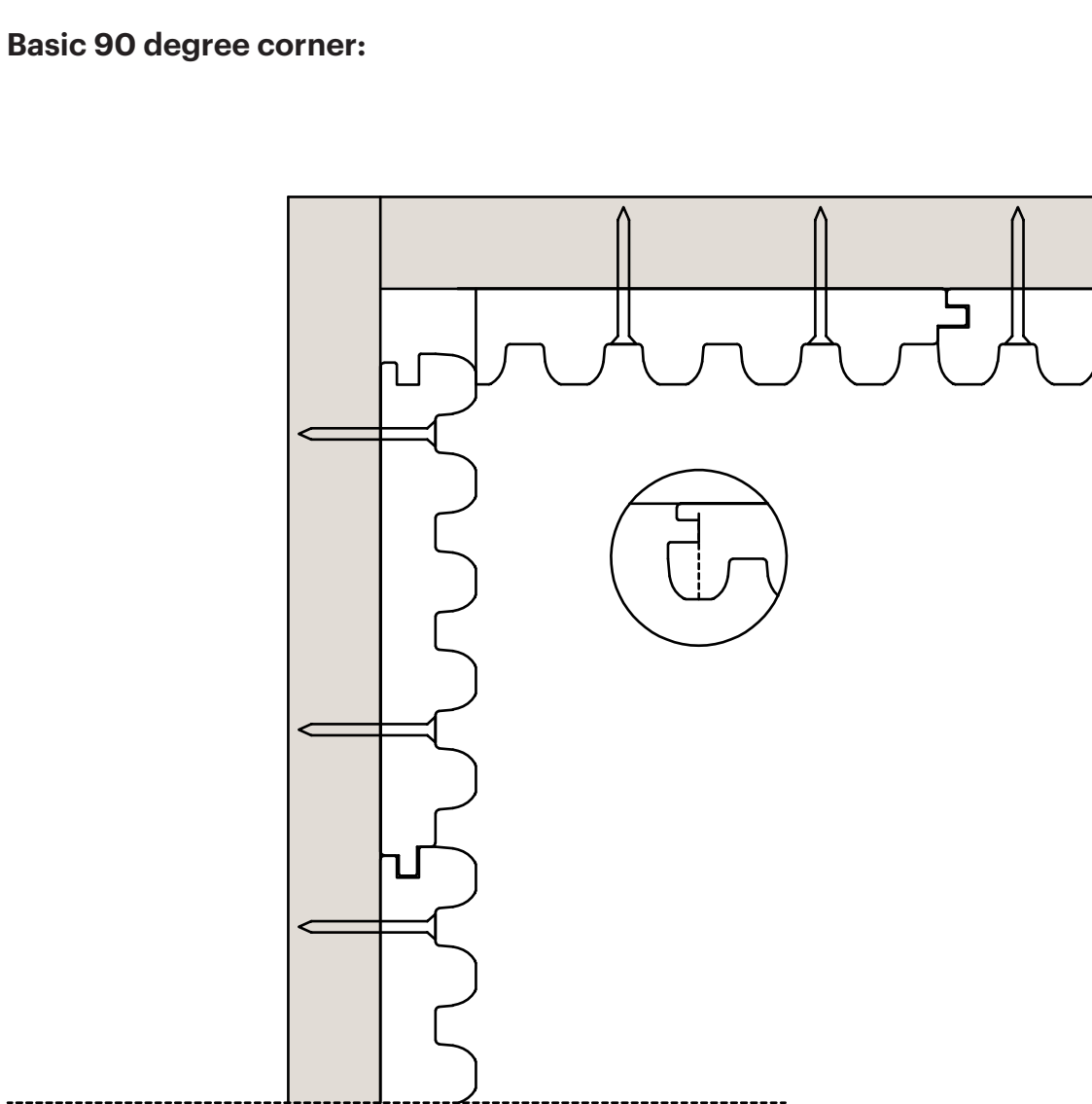


LUNA FEMMA 1x6

Guideline for Luna Femma installation

Luna Femma internal corner installations:

Basic 90 degree corner:

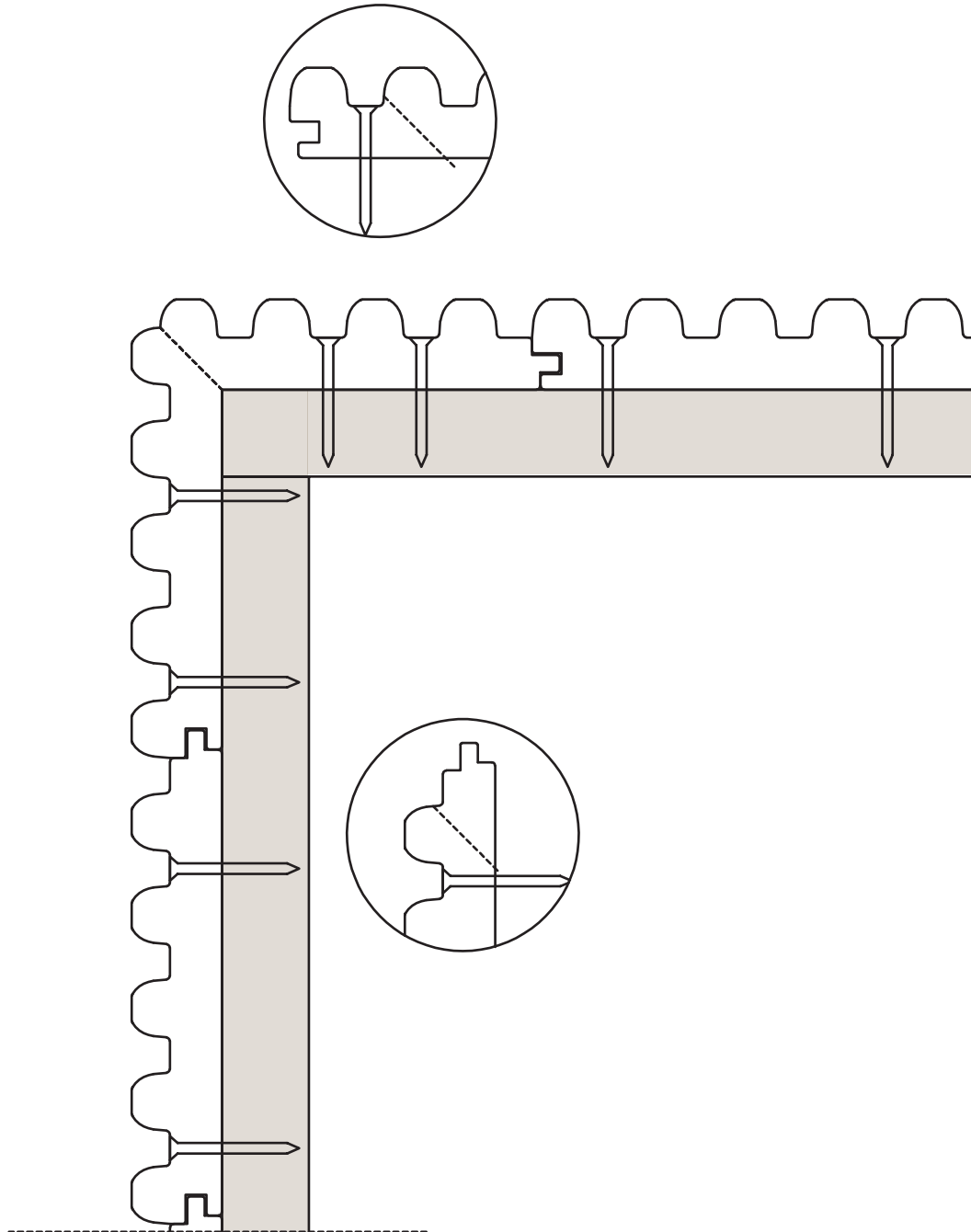


LUNA FEMMA 1x6

Guideline for Luna Femma installation

Luna Femma corner installations:

Rounded 90 degree corner:

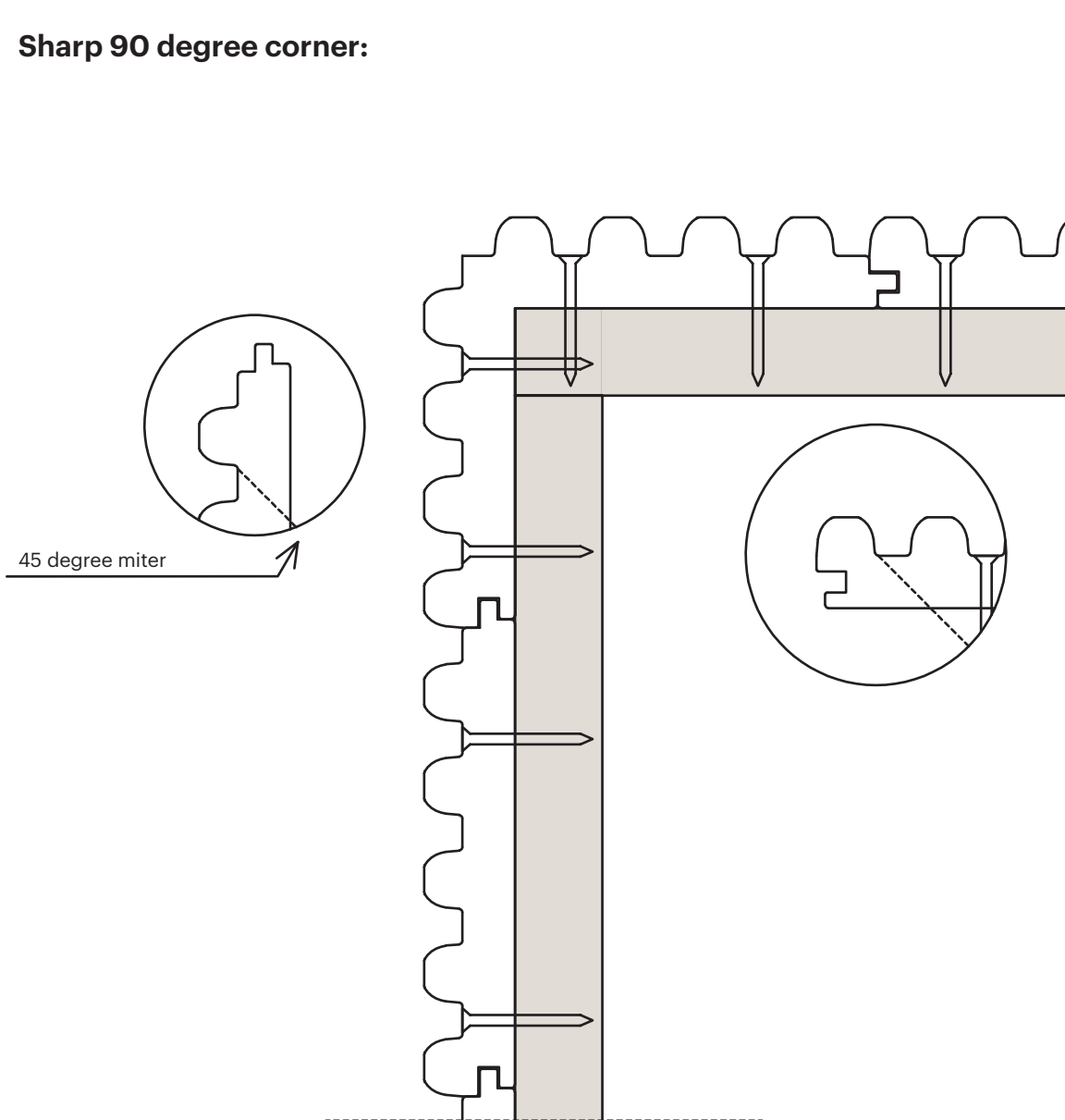


LUNA FEMMA 1x6

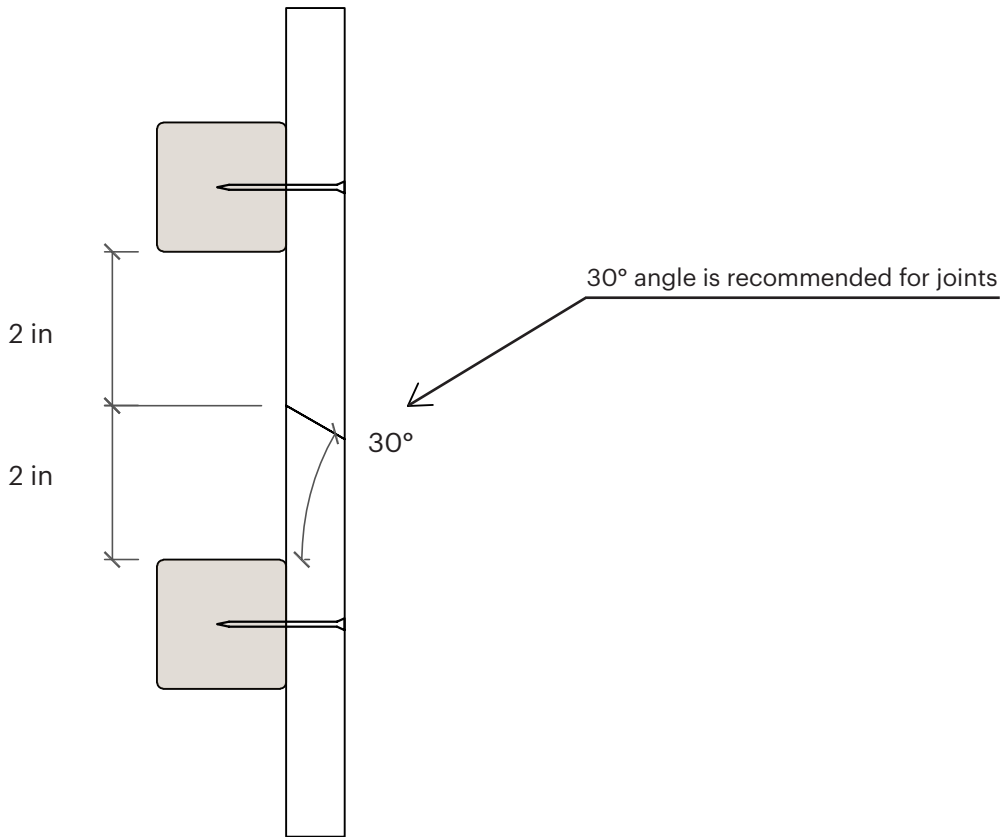
Guideline for Luna Femma installation

Luna Femma corner installations:

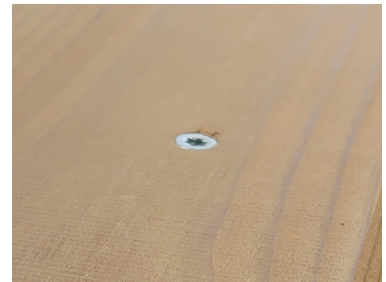
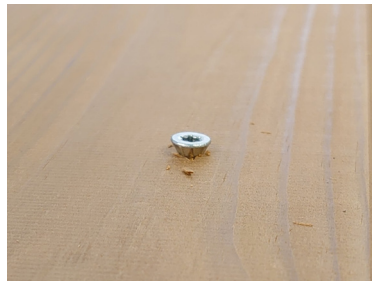
Sharp 90 degree corner:



General board joint guideline



Fasten nails/screws to the correct depth



This brochure is provided for informational purposes only and no liability or responsibility of any kind is accepted by Lunawood or its representatives, although Lunawood has taken reasonable efforts to verify the accuracy of any advice, recommendation, or information. Lunawood reserves the right to alter its products, product information and product range without prior notice.