



Installation guideline for Luna Hidden Nailing products

Demánová Rezort in Slovakia
Architect: Ing. arch. Jakub Loučka,
XYLO Atelier
Photo: XYLO Atelier

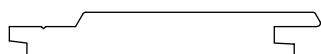


LUNA HIDDEN NAILING

Guideline for Luna Hidden Nailing installation

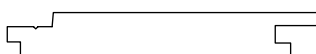
Luna Pure 20x142 HN

dimensions (mm)	20x142
class	LunaThermo-D
species	Nordic spruce
length (m)	3,6 - 5,1
m/m ²	8,26
joist spacing (mm)	600



Luna Trim 20x142 HN

dimensions (mm)	20x142
class	LunaThermo-D
species	Nordic spruce
length (m)	3,6 - 5,1
m/m ²	8,10
joist spacing (mm)	600

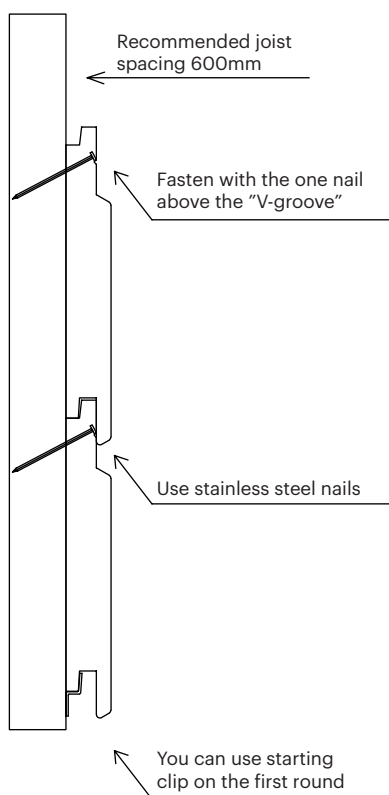


Luna Bevel 26x142 HN

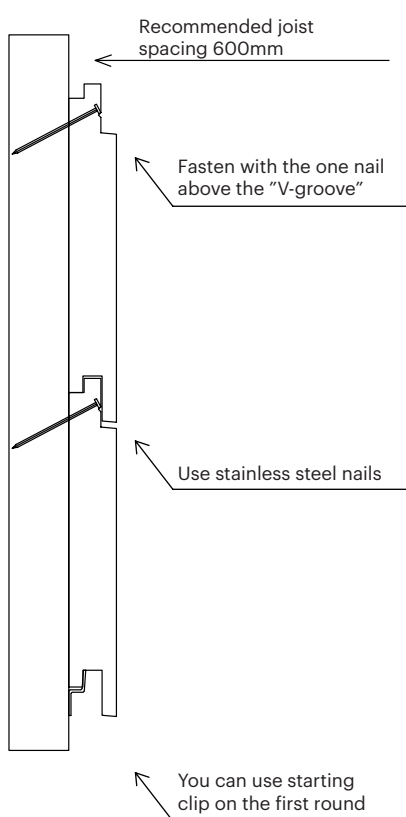
dimensions (mm)	26x142
class	LunaThermo-D
species	Nordic spruce
length (m)	3,6 - 5,4
m/m ²	8,26
joist spacing (mm)	600



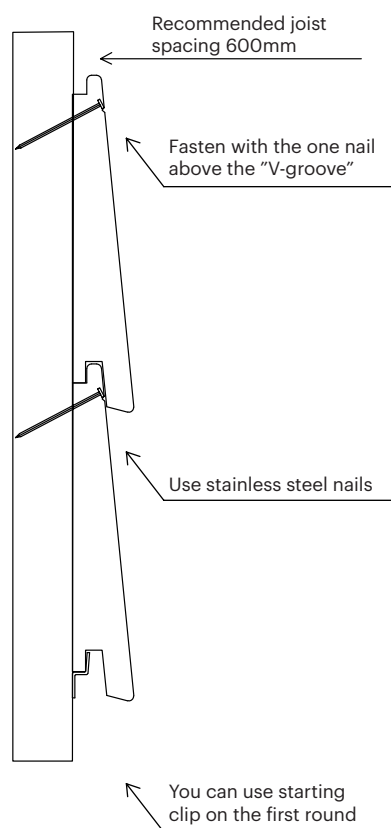
Luna Pure 20x142 HN installation



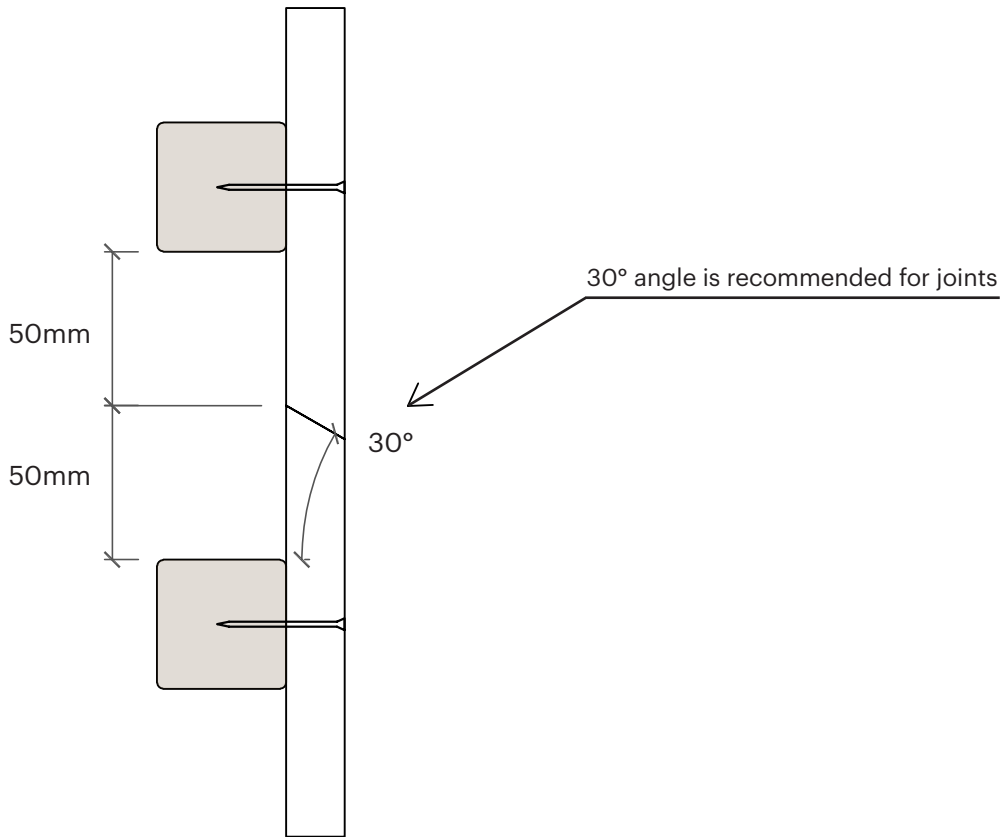
Luna Trim 20x142 HN installation



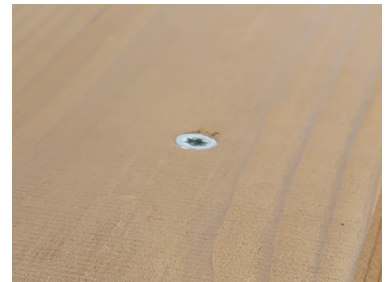
Luna Bevel 26x142 HN installation



General board joint guideline



Fasten nails/screws to the correct depth



This brochure is provided for informational purposes only and no liability or responsibility of any kind is accepted by Lunawood or its representatives, although Lunawood has taken reasonable efforts to verify the accuracy of any advice, recommendation, or information. Lunawood reserves the right to alter its products, product information and product range without prior notice.