

SOAR COMPOSITE CLADDING INSTALLATION GUIDE



Table of Contents

Installation Guidelines	2
Getting Started	3
List of Materials	4
Vertical Installation Instructions	6
Horizontal Installation Instructions	12

Installation Guidelines

IMPORTANT: Please review all sections of this manual before beginning installation.

Pre Installation

The diagrams and instructions provided in this manual are for reference only. Determination of the effectiveness, suitability, and safety of any application or use of Sylvanix products is solely the responsibility of the installer. Building code regulations vary, and the installer must consult local building and safety codes for specific requirements prior to the application of Sylvanix cladding products.

Basic woodworking tools, such as a saw (table and portable saws), impact drill, hand drill, etc. can be used.

Please note that the use of Sylvanix fasteners is required when installing Sylvanix cladding products.

Cladding Profile Application

Sylvanix cladding materials can not be used as a main support system. This includes using profiles as beams, columns and other load-bearing structures. Sylvanix Cladding must be combined with other code-compliant load-bearing structures.

Getting Started

Planning and Design

Before the installation of Sylvanix cladding, it is recommended to prepare a site drawing of your specific project to minimize errors and ensure your project goes according to plan. Planning before project installation can also help ensure that the cladding installation meets local building codes and zoning ordinances.

Material Storage

Store Cladding materials on a rigid, smooth, and flat surface. Keep profiles covered, and off the ground on a surface that is protected from direct exposure to weather and sunlight. Do not store cladding in a damp or stagnant environment.

Expansion and Spacing Considerations

All cladding materials, whether wood or composite, undergo some degree of linear expansion with the change of weather and the seasons. For best results, keep cladding profiles out of direct sun during storage and cutting processes, and throughout installation, if possible. To compensate for the effects of expansion and contraction, we stipulate following our spacing requirements shown below.

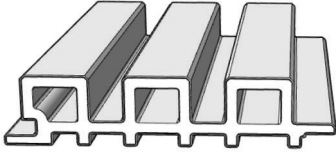
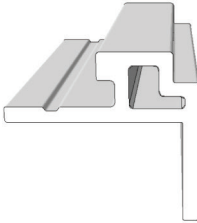
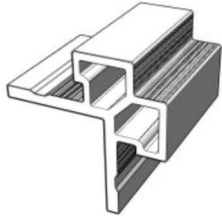
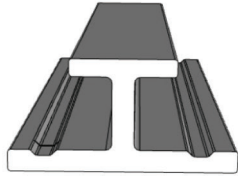
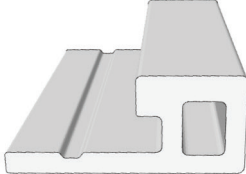
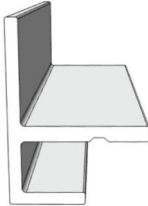
Please Note: For cladding end-to-end spacing and end-to-structure spacing, the below requirements must be met for full Sylvanix Warranty Coverage.

Cladding Spacing by Ambient Temperature

Ambient Temperature (°F)	< 35°	36° - 69°	70° - 89°	90°+
Spacing for Soar Cladding	1/3 inch	1/4 inch	1/8 inch	1/16 inch

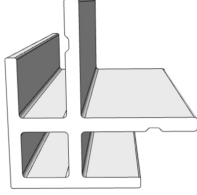
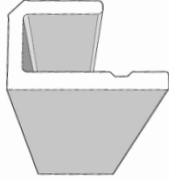
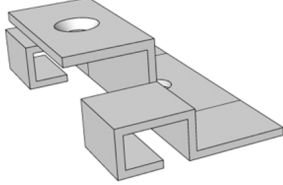

Always consider linear expansion and contraction when installing Sylvanix cladding. If temperature fluctuates during installation, the gapping between board ends and trim pieces must be changed accordingly. Sylvanix Soar Cladding complies with all major building codes and has been evaluated by the International Code Council evaluation service (ICC-ES).

List of Materials

Product Name	Item Code	Image	Application
Soar Cladding Board	HLYC-018F		Decorative Wall Cladding
Soar Edge Trim VERTICAL	HLYC-019F		Used to wrap the edges, top, or bottom of Cladding Boards during vertical installation
Soar Outer Corner Trim VERTICAL	HLYC-021F		Used at outside corner areas during vertical installation
Soar Butt Joint Trim	HLYC-013F		Used to cover butt joint areas during both vertical and horizontal installation
Soar Inner Corner Trim VERTICAL	HLYC-020F		Used when installing final cladding boards at inside corner areas
Soar F-Trim HORIZONTAL	HLYC-14F		Used to wrap edges, top, or bottom of Cladding Boards during horizontal installation

**When metal furring strips are used, please consult the manufacturer on fastener specifications.*

List of Materials

Product Name	Item Code	Image	Application
Soar Outer Corner Trim HORIZONTAL	HLYC-015F		Used at outside corner areas during horizontal installation
Soar Inner Corner Trim HORIZONTAL	HLYC-16F		Used when installing Cladding Boards at inside corner areas during horizontal installation
Hidden Fastening Clip	HLPM-103 (B)		Used for installation of the Cladding Boards 1 Pack includes 150 pieces (100 sqft)
Hidden Fastening Screw TYPE 1	HLPM-101 (B)		Used to secure Hidden Fastening Clip through Cladding board and into furring strip 1 Pack includes 50 pieces (100 sqft)+ Driver Bit
Hidden Fastening Screw TYPE 2	HLPM-102 (B)		Used to secure the Hidden Fastening Clip directly to the furring strip 1 Pack includes 150 pieces (100 sqft)+ Driver Bit
Color Matched Screw	HLPM-097 (B)		Color matched screws for trim installation and any finishing work 1 Pack includes 50 pieces +Driver Bit
Rubber Support HORIZONTAL	HLPP-054 (C)		Used to install cut Cladding Board during horizontal installation

Vertical Installation Instructions

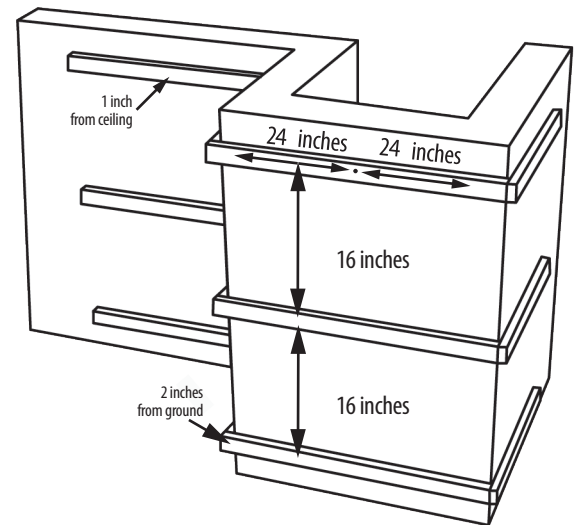
1. Furring Strips

A. We recommend using wood furring strips with a minimum thickness of 1" (actual thickness 3/4"). Each cladding board should be supported by a furring strip NO MORE than 16" from center to center. Please note that extra furring strips may be required around obstacle areas such as windows, doors, and soffits, in order to create adequate joist support. Please leave a minimum of 2" between the ground and the bottom of the furring strip, as well as 1" between the ceiling and the top of the furring strip.

B. All Furring strips must be flat and level to the wall, please using shims in areas where it is required.

C. All Furring strips must be fixed into the studs with screws spaced no more than 24" apart.

D. Sylvanix recommends using a code-approved water-resistant barrier behind our cladding. Please consult a building professional regarding water barriers and insulation for your project.

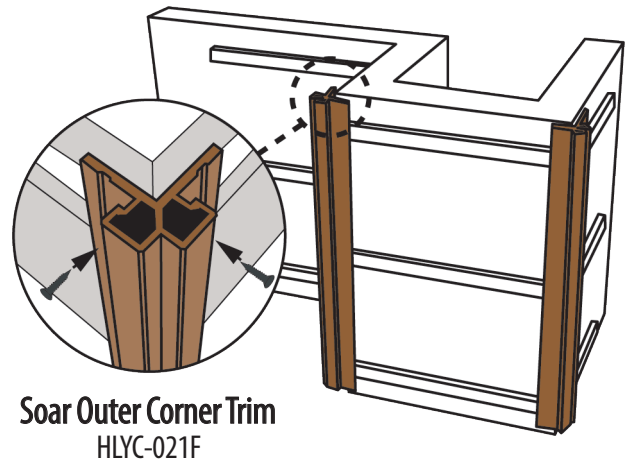
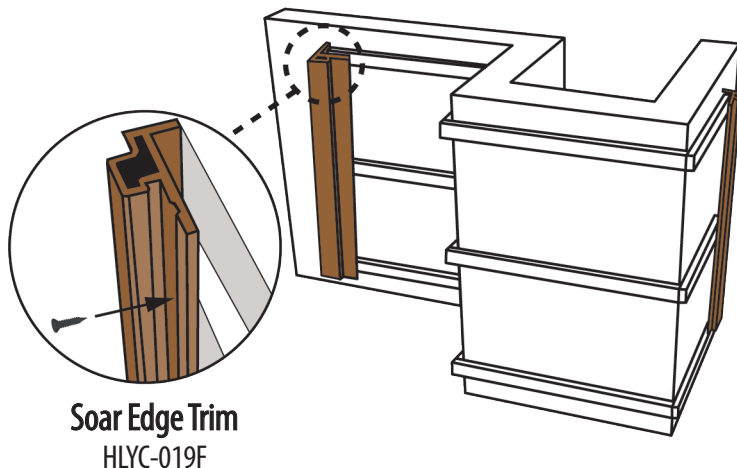


2. Installation of Corner Trim and Edge Trim

A. Using the color matched screw, secure the Edge Trim to the outermost edges and the Corner Trim to all outside Corners.

B. With the spacing of fasteners determined by the spacing of the furring strips, use one cladding screw to fasten trim boards at each furring strip.

C. Please allow a minimum of 1" between the bottom of the Trim piece and the ground.



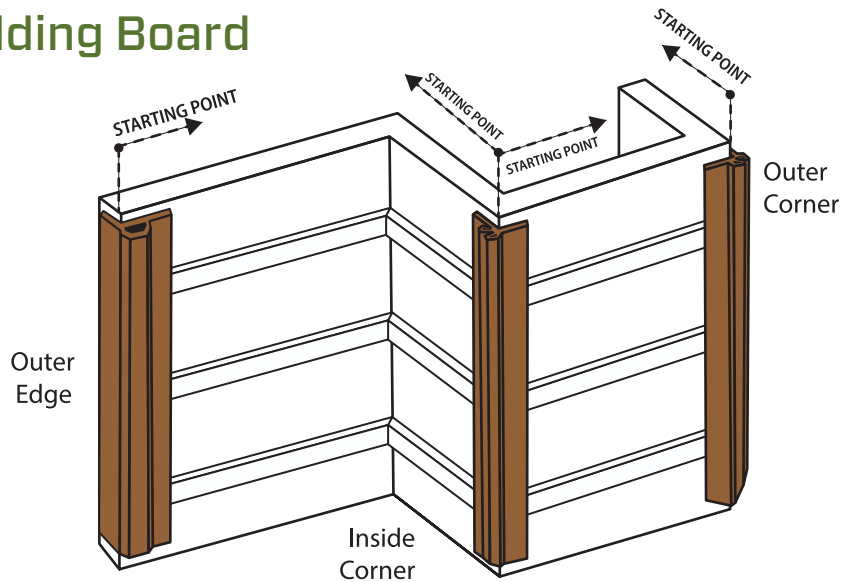
Vertical Installation Instructions

3. Installation of Soar Cladding Board

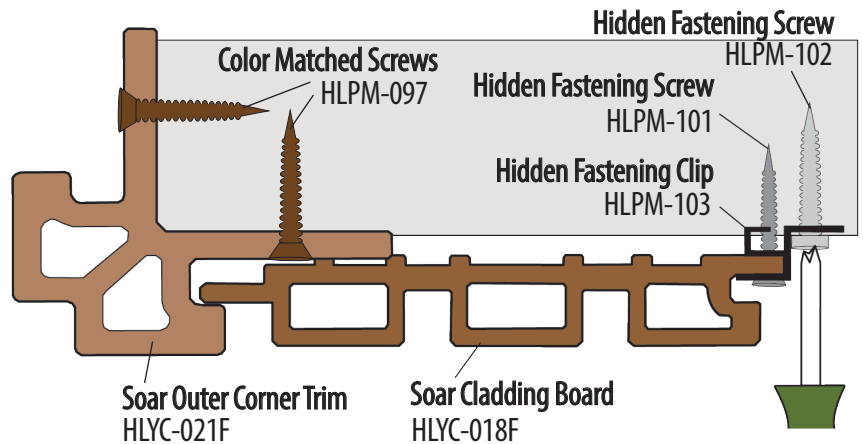
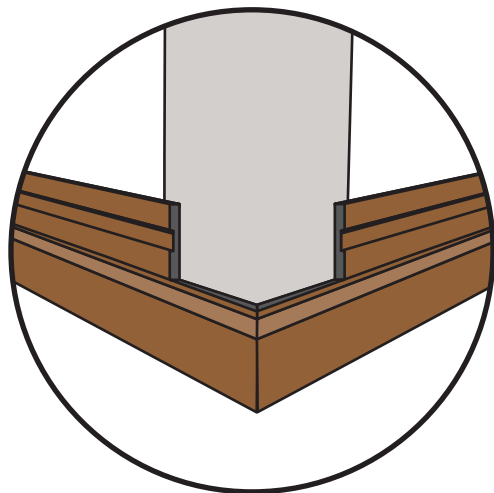
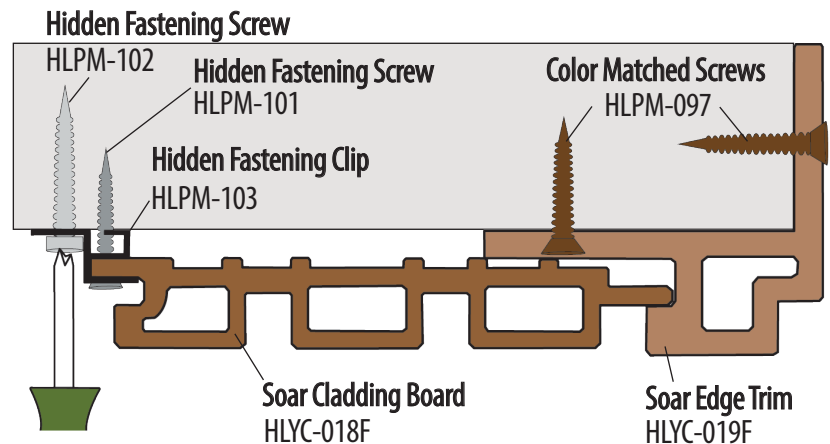
A. For ease of installation, it is recommended to follow the general flow shown in the following diagram.

Please Note: As a general rule, it is best practice to start at the outermost points and work inward.

B. Slide the outermost edge of the First Soar Cladding board into the open groove of the Edge Trim or Corner Trim, depending at which point you start.

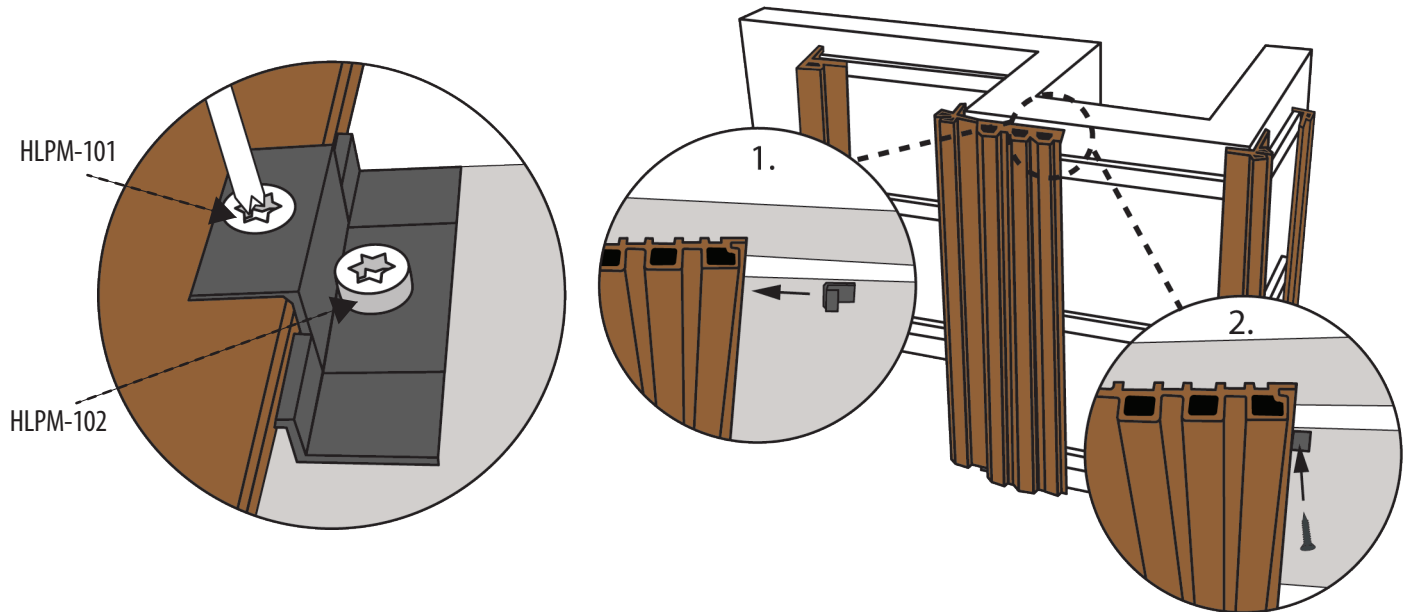


Edge Trims can be used at the bottom or top of your project. Please note that these trims must be notched to accommodate inner corner and outer corner trims.



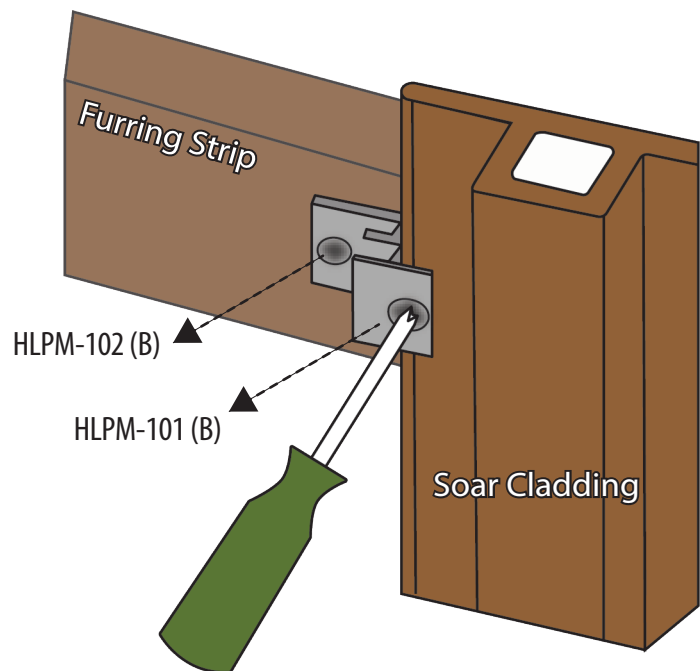
Vertical Installation Instructions

C. Using the Hidden Fastening Clip and the Hidden Fastening Screws, fasten the opposite side of the Cladding Board to the furring strip.



Secure the clip at the top of each cladding board with a screw

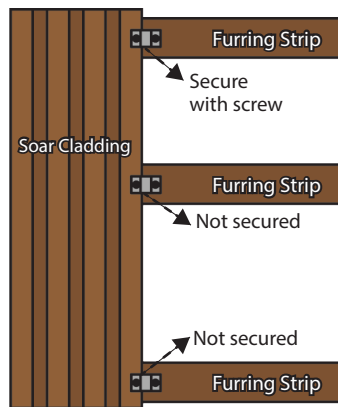
D. During the vertical installation of Soar Cladding Boards, it is required to secure either 1 or 2 of the top clips depending on the board length. Securing in these areas will allow the board to expand and contract without issue. Please see diagram to the right.



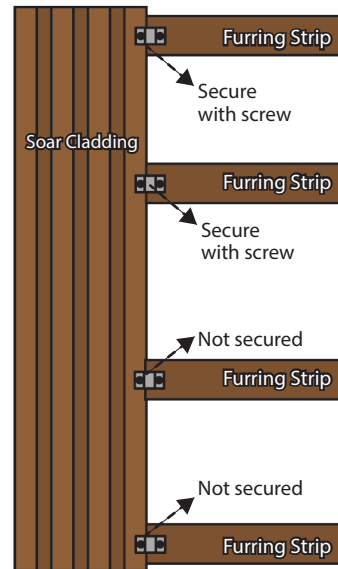
Vertical Installation Instructions

Please note: On board lengths below 6' it is recommended to secure the first clip at the top of the board only. Board lengths that are equal or greater than 6' will require the first and second top clip to be secured. See diagram below.

Vertical Installation
Boards below 6 foot in length

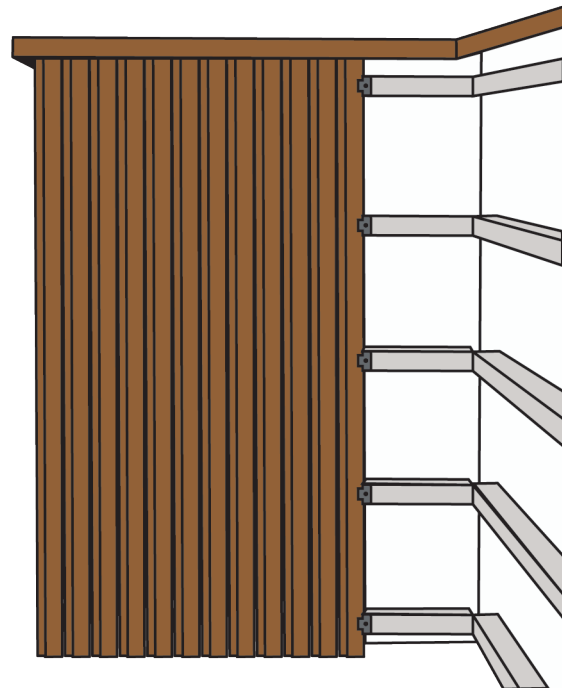


Vertical Installation
Boards 6 foot or longer



E. After Hidden Fastening Clips have been installed, slide the second board over the first board's Hidden Fastening Clip and fasten the opposite side using the hidden fastener and cladding screws. Repeat this process as needed.

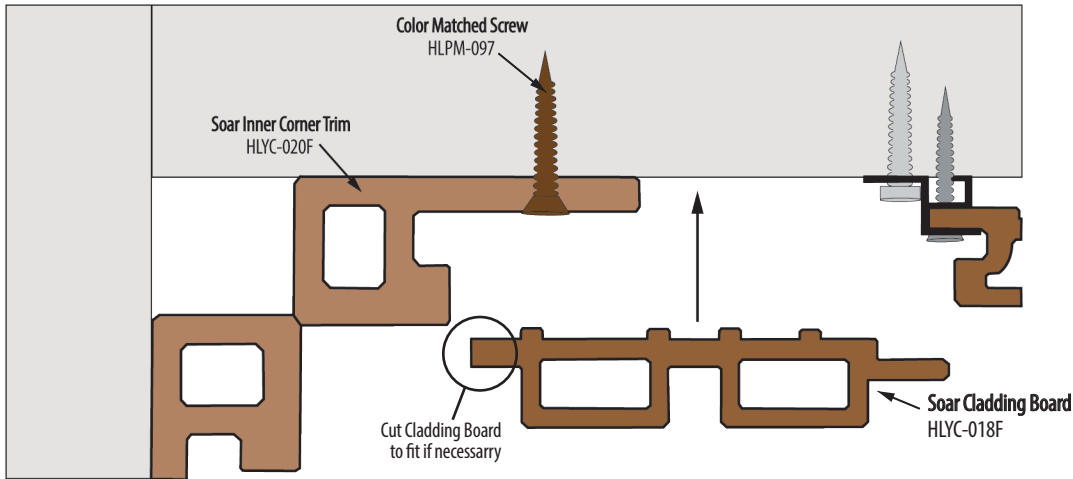
F. Please allow a minimum of 1" between the bottom of the Cladding Board and the ground.



Vertical Installation Instructions

4. Inside Corner Trim and Installing the Last Cladding Board

A. At all inside corner areas, install Inside Corner Trim as shown in the below diagram.

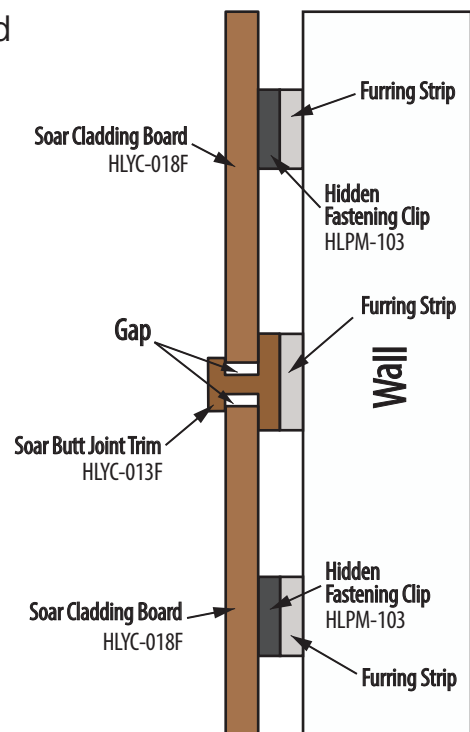


B. When installing the last Soar Cladding Board, be sure to measure the distance between the Inside Corner Trim and the previously installed Soar Cladding board. Use this dimension to make the appropriate cut on the last Soar Cladding Board if needed.

C. As per the previous diagram, place the last Soar Cladding Board over the clip on the previous board, and use the color coated screw to face fix the opposite end through the Inside Corner Trim & the furring strip.

5. Butt-Joints

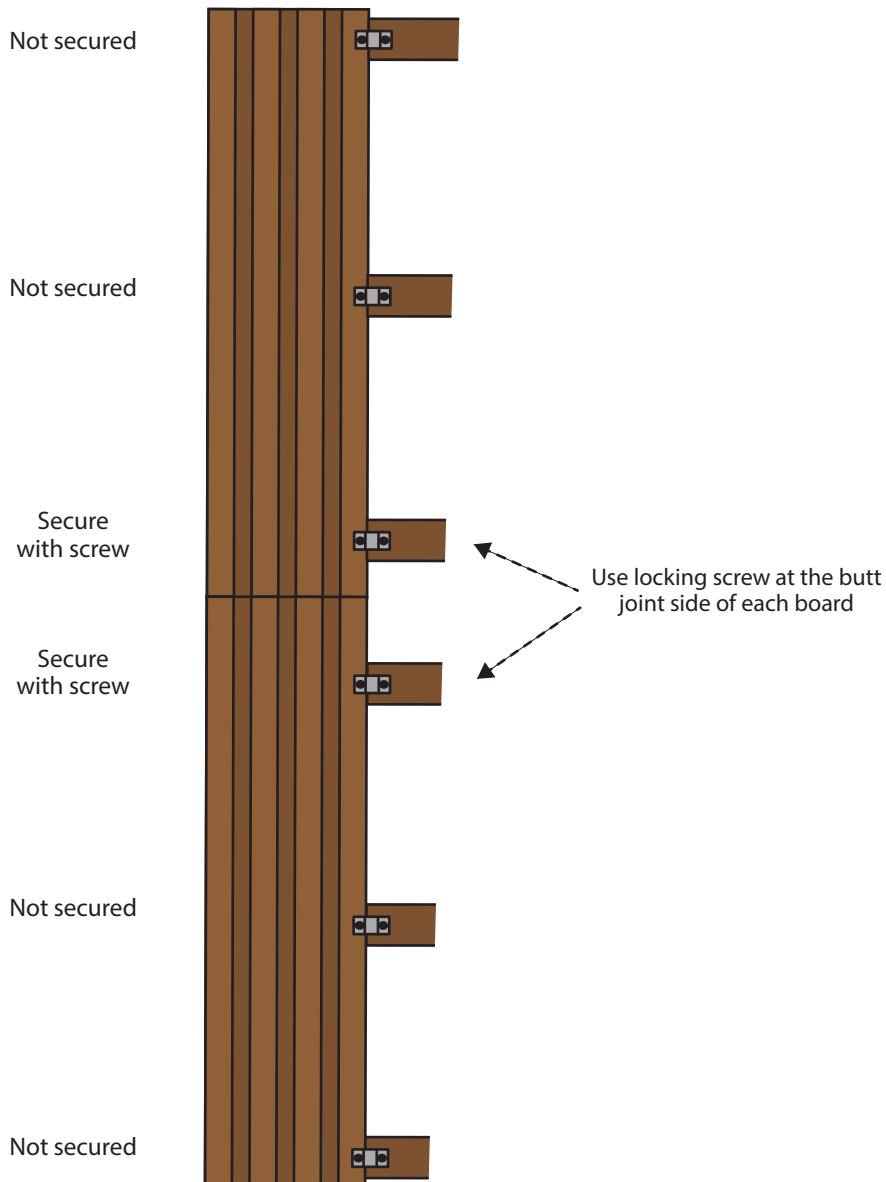
A. For areas where butt joints are present (e.g. In between first and second level) butt joint trim can be used to cover any gapping or spacing concerns.



Vertical Installation Instructions

B. After cladding boards have been installed, fasten the Butt Joint Trim directly onto the top of the lower level boards. Once Butt Joint Trim has been fastened, upper level cladding boards can be placed into the top of Butt Joint Trim piece. See diagram on page 10.

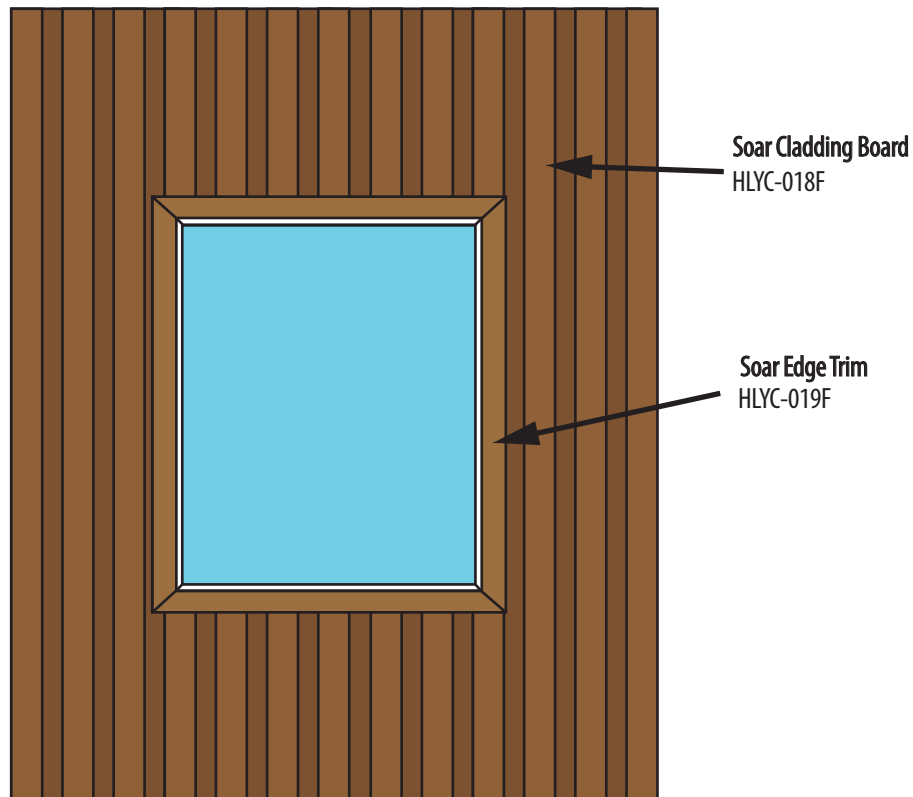
C. If Butt Joint Trim is not used, follow the diagram below. Please refer to the temperature requirements on Page 3.



Vertical Installation Instructions

6. Window Opening and Door Trim

A. Although not required, Soar Edge Trim can be used around all window and door openings to create a seamless transition from Cladding Boards to Window or Door Edge. Please keep in mind the expansion and contraction spacing requirements given on Page 3.



Please note: Edge trim can also be used to finish the top or bottom of your cladding panels, as long as adequate gapping for expansion and contraction has been considered.

Horizontal Installation Instructions

1. Furring Strips

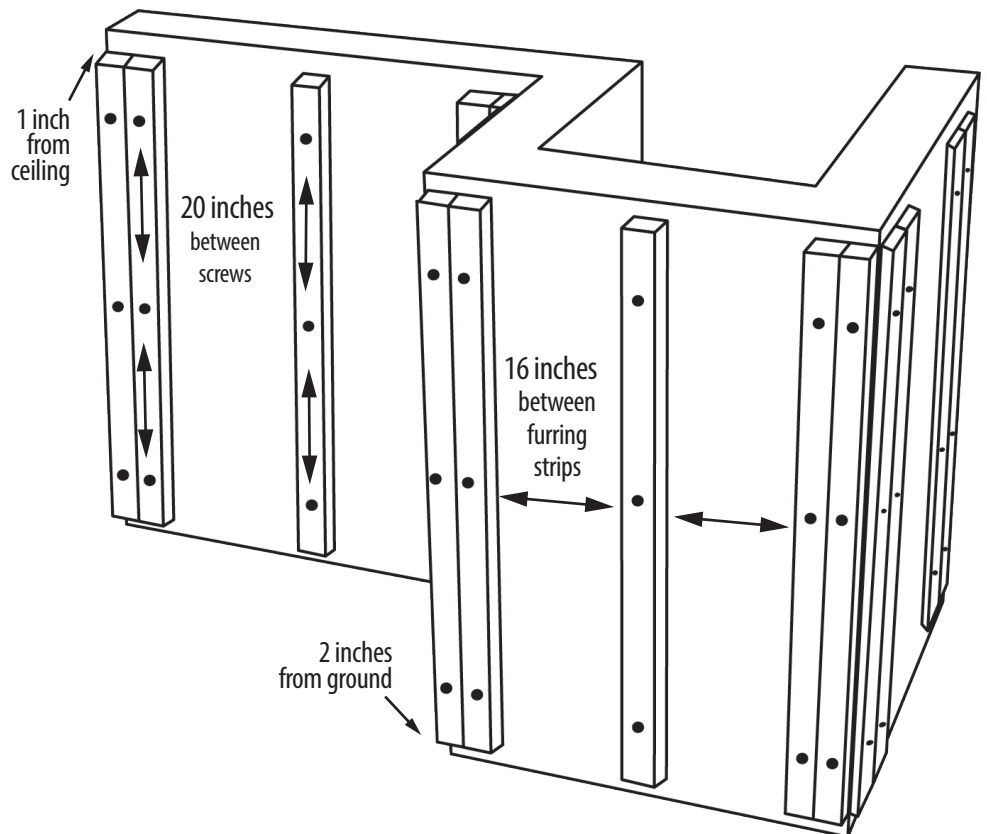
Unlike the Vertical Installation, Horizontal Installation does not require furring strips, provided that the Soar Cladding can be fastened to pre-existing studs. If pre-existing studs are not present for your project, furring strips will be required.

A. If Furring strips are required, we recommend using wood furring strips with a minimum thickness of 1" (actual thickness 3/4"). Each cladding board should be supported by a furring strip NO MORE than 16" from center to center. Please note that extra furring strips and blocking may be required around obstacle areas such as windows, doors, and soffits, in order to create adequate cladding support. Please leave a minimum of 2" between the ground and the bottom of the furring strip, as well as 1" between the ceiling and the top of the furring strip.

B. Furring strips must be flat and level to the wall. Please use shims in areas where it is required.

C. All furring strips must be fixed into the wall with screws spaced no more than 20" apart.

D. Sylvanix recommends using a code-approved water-resistant barrier behind our cladding. Please consult a building professional regarding water barriers and insulation for your project.

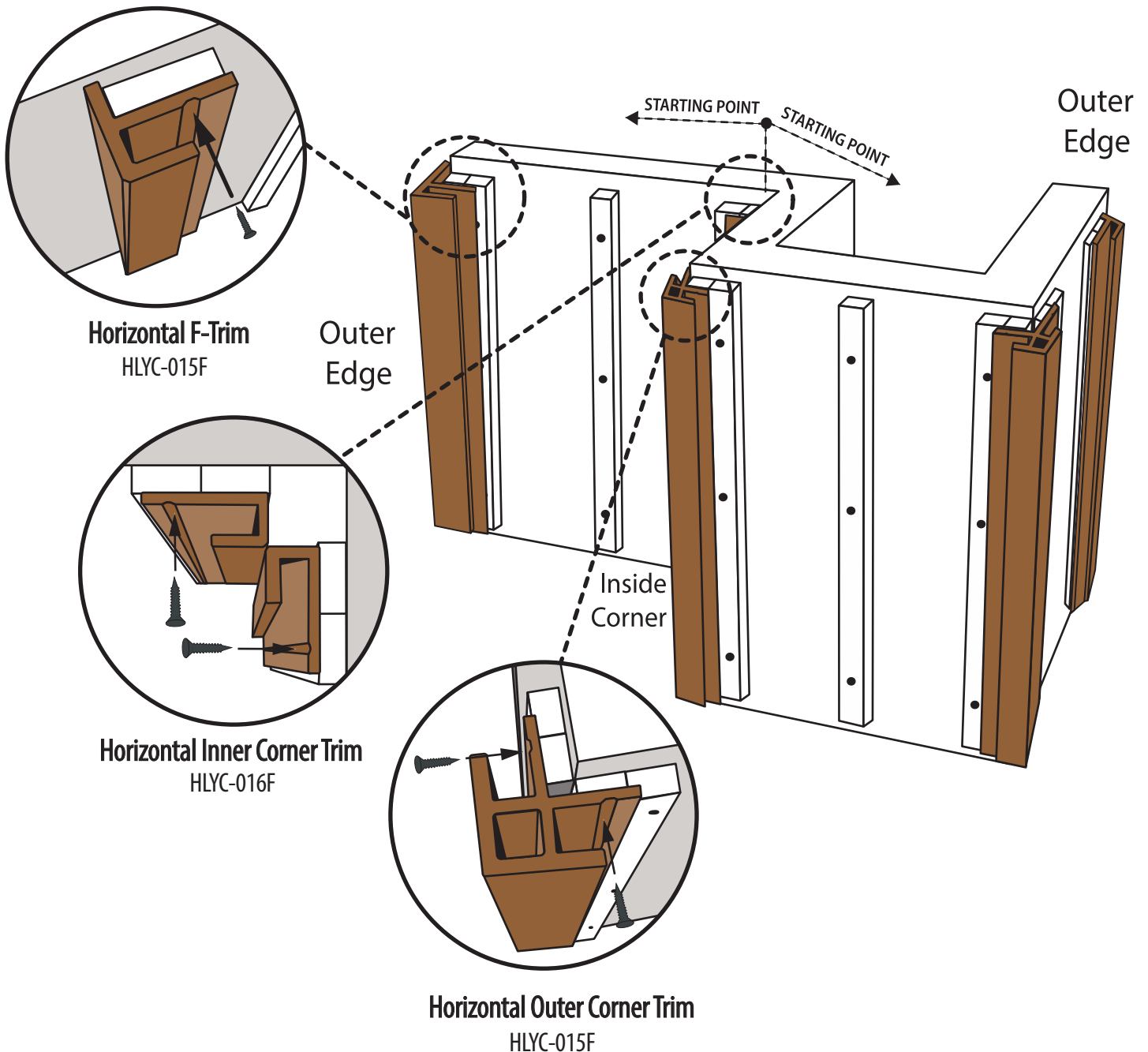


Horizontal Installation Instructions

2. Installation of the Corner and Edge Trim

A. Using the Color Matched Screw, secure the Inside Corner Trim to the inside corners. Spacing of screws should be no more than 16”.

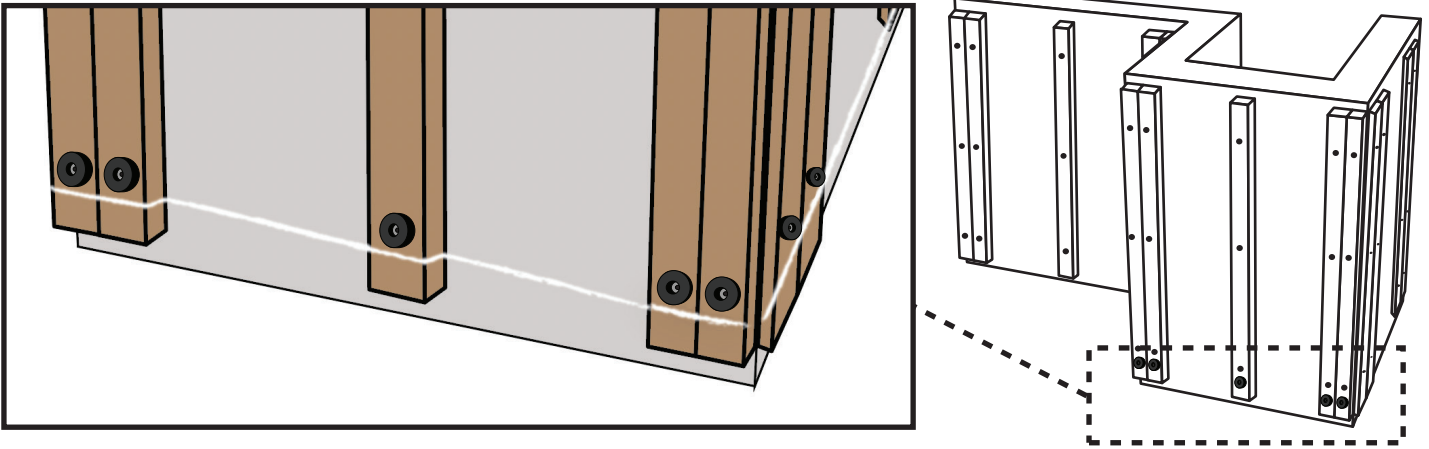
B. Please allow a minimum of 1” between the bottom of the trim piece and the ground.



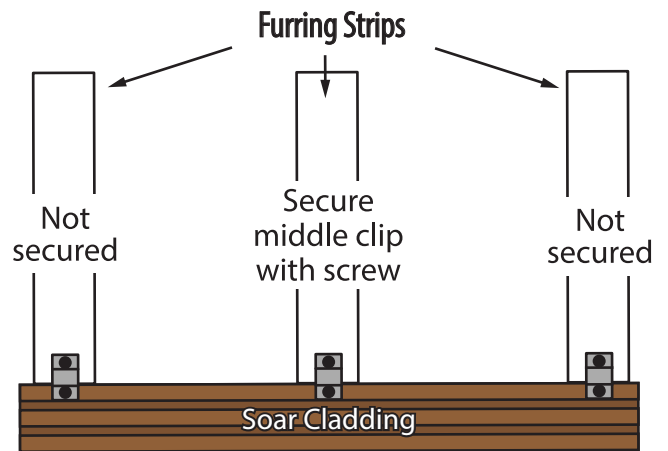
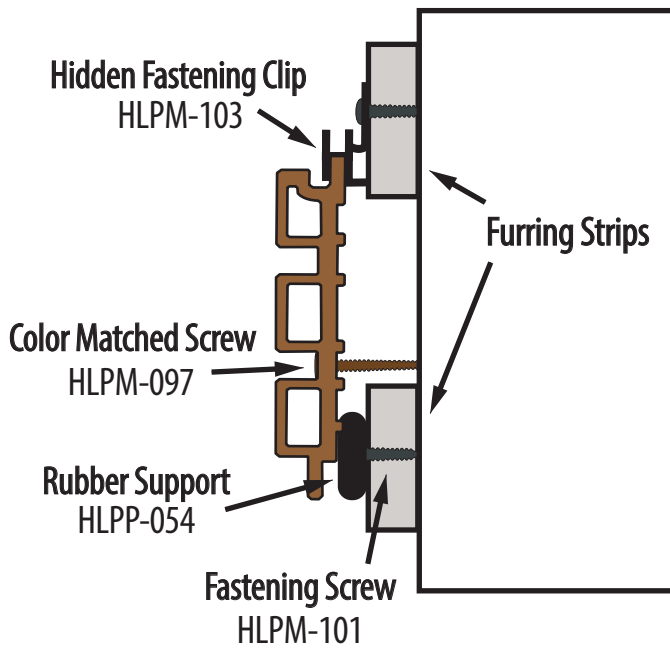
Horizontal Installation Instructions

3. Installation of Soar Cladding Board

A. Using a chalk line, attach a Rubber Support to the bottom of each furring strip along the bottom of the wall.



B. Place the first Cladding Board over the Rubber Supports at the bottom of each furring strip. Once completed, place a Hidden Fastening Clip at the top of the Cladding Board.

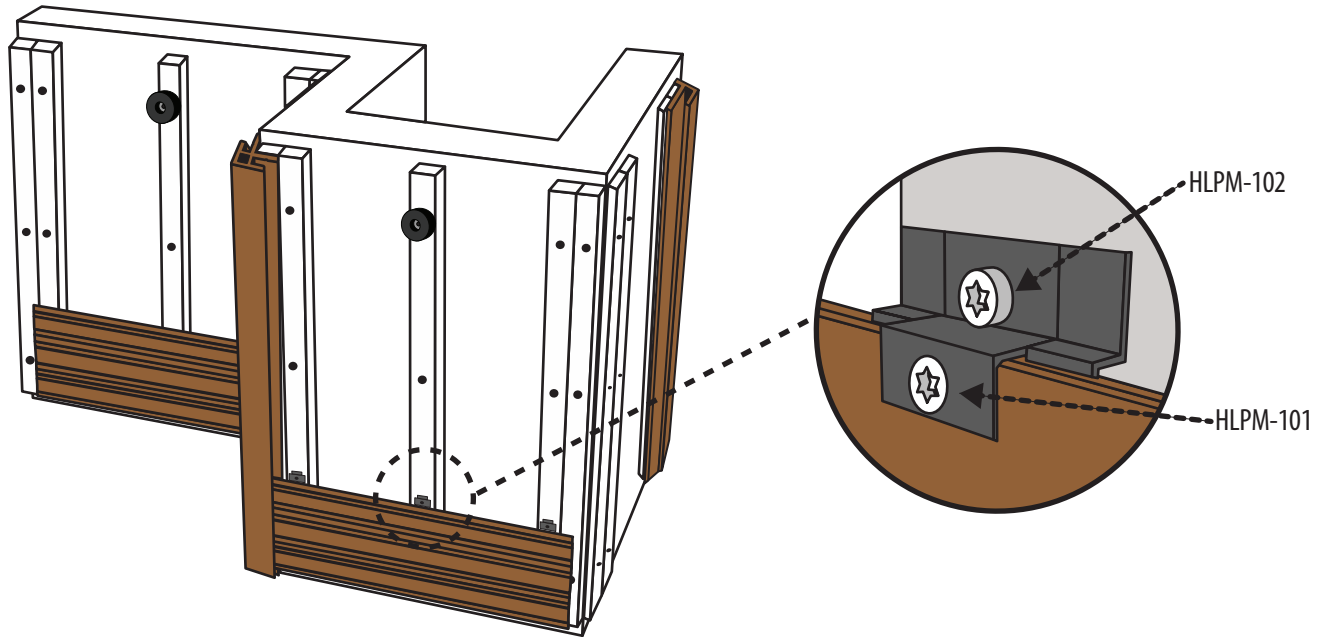


Place a Hidden Fastening Clip at the top of the cladding board.

It is required to secure the clip at the center of each board with 2 screws. This will repeat with each board and center clip as you progress up the wall.

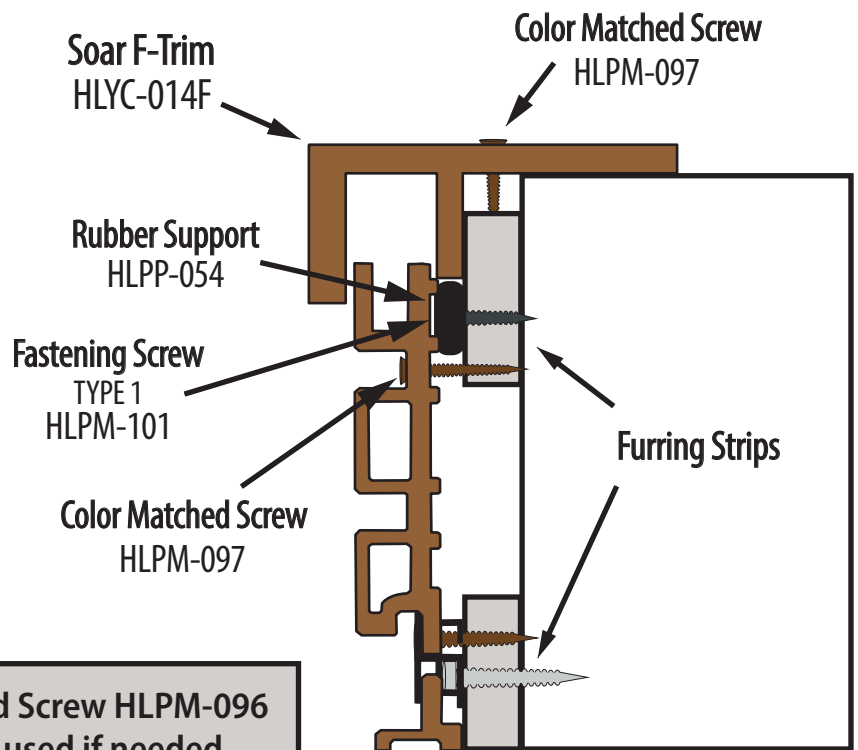
Horizontal Installation Instructions

C. After the First Cladding Board is fastened on the top and the bottom, slide the second board over the first board, and use the Hidden Fastening Clip to fasten. Repeat this process as needed.



D. When installing the last board, it may be necessary to cut the board to the correct size. Use the Rubber Support to secure the cut Cladding Board to the furring strip.

In these areas, use F-Trim at the top of the wall to finish.



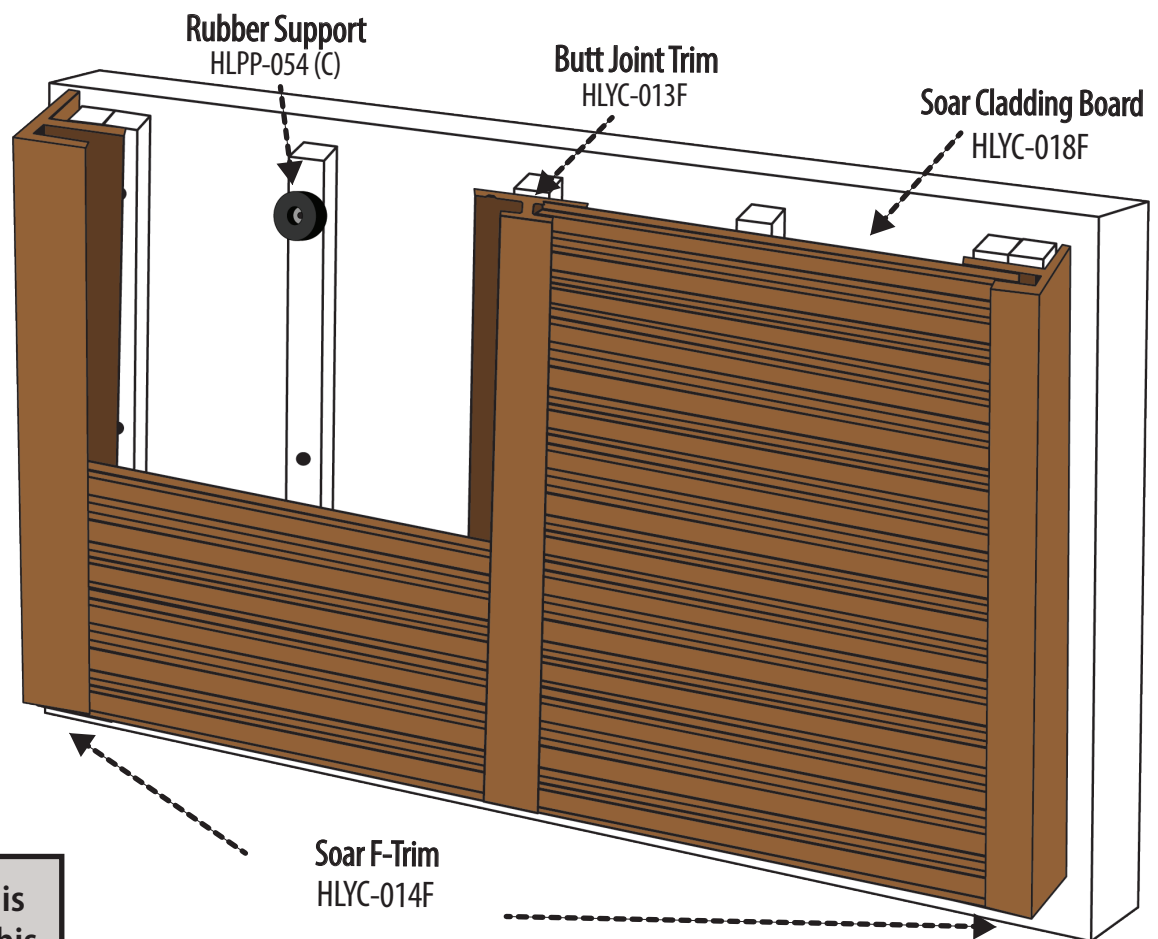
Color Matched Screw HLPM-096 can also be used if needed.

Horizontal Installation Instructions

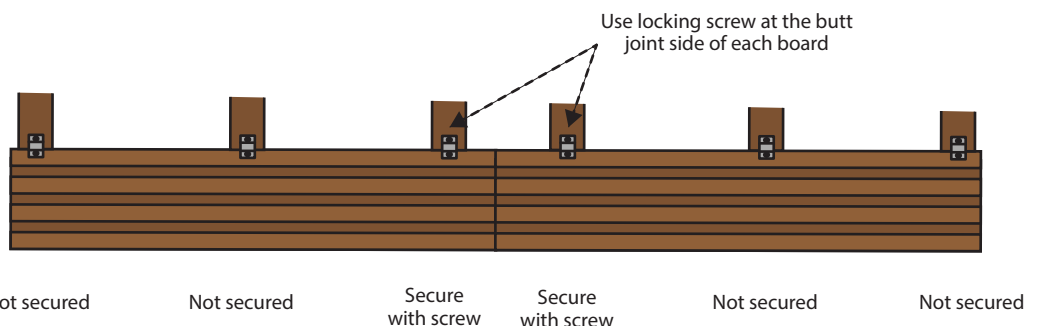
4. Butt Joints

A. For areas where butt joints will be present, Butt Joint Trim can be used to cover any gapping or spacing concerns.

B. After Cladding Boards have been installed on one side of an upcoming butt-joint, fasten the Butt Joint Trim directly next to the side of the Cladding Boards. Once Butt Joint Trim has been fastened, the next side of horizontal Cladding Boards can be installed on the opposite side of the Butt Joint Trim.



If Butt Joint Trim is not used, follow this diagram. Please refer to the temperature requirements on Page 3.



Not secured Not secured Secure with screw Secure with screw Not secured Not secured

Finishing Up

Additional Information

The diagrams and instructions provided in this manual are for reference only. Determination of the effectiveness, suitability, and safety of any application or use of Sylvanix products is solely the responsibility of the installer. Building code regulations vary, and the installer must consult local building and safety codes for specific requirements prior to the application of Sylvanix cladding products.

Visit our website for any additional information.

Please note: Any deviation from these recommendations could void Sylvanix cladding warranty.

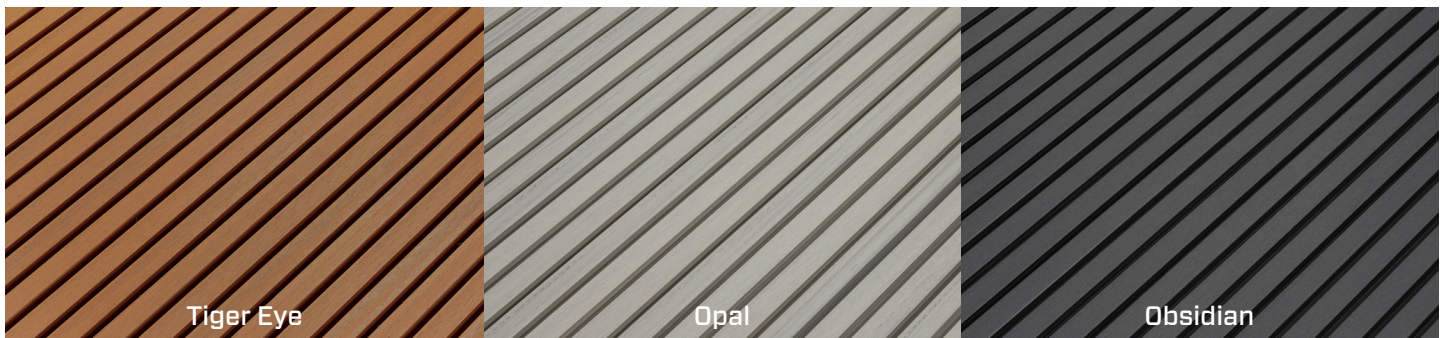
Find us on Social Media!

@SylvanixOutdoorProducts



SYLVANIX.COM

Color Palette



soarsignature™



*Soar Signature
Cladding in Tiger Eye*


SYLVANIX
outdoor products inc™