



**Installation guideline for
Luna Triple 2x6**

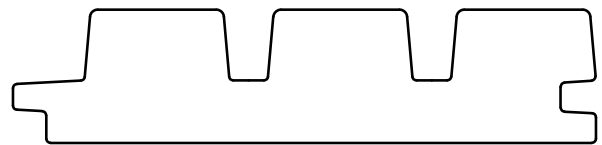


LUNA TRIPLE 2x6

Guideline for Luna Triple installation

Luna Triple creates a 3D effect with easy installation in indoor and outdoor use.

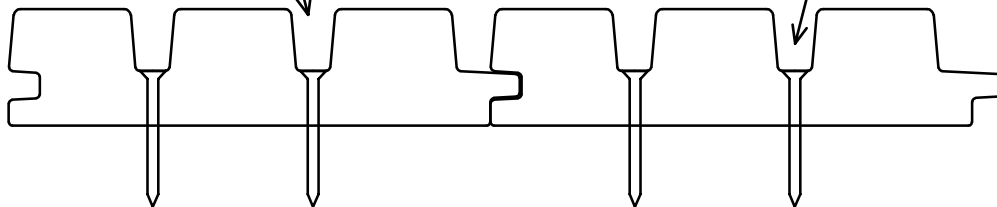
actual size	1-1/4" x 5-3/5" (32x140mm)
class	LunaThermo-D
species	Nordic spruce
length	12-18 ft (3.0-5.4 m)
sq.ft	2.31 ft/sq.ft (7.57 m/ m ²)
joist spacing	16"



OUTDOOR AND CEILINGS, mounting with screws:

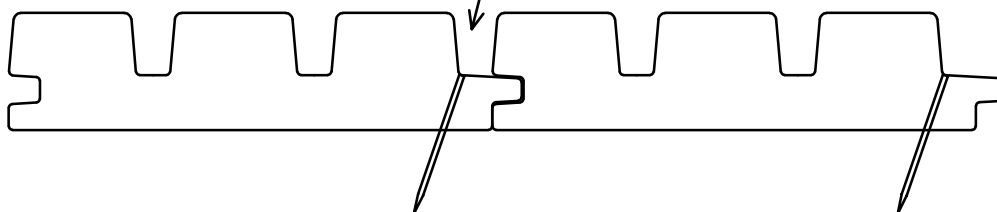
Stainless steel screw. Length 1-4/7"

Screw head diameter max 2/7"



INDOOR, mounting with nailing:

Stainless steel nail. Length 1-4/7"

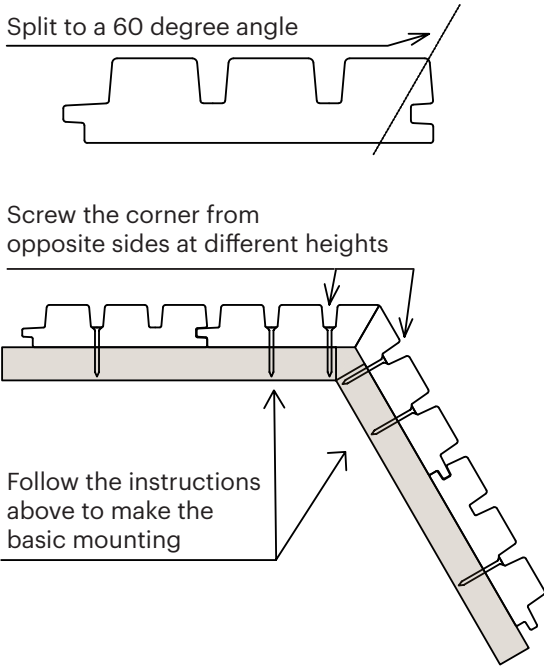


LUNA TRIPLE 2x6

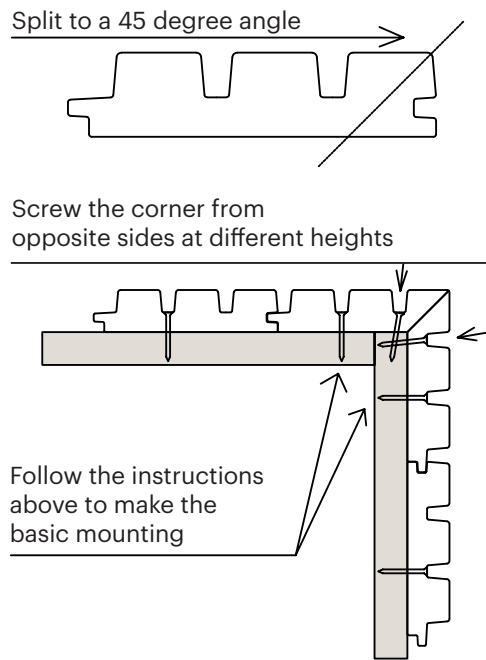
Guideline for Luna Triple installation

Luna Triple Shadow corner installation

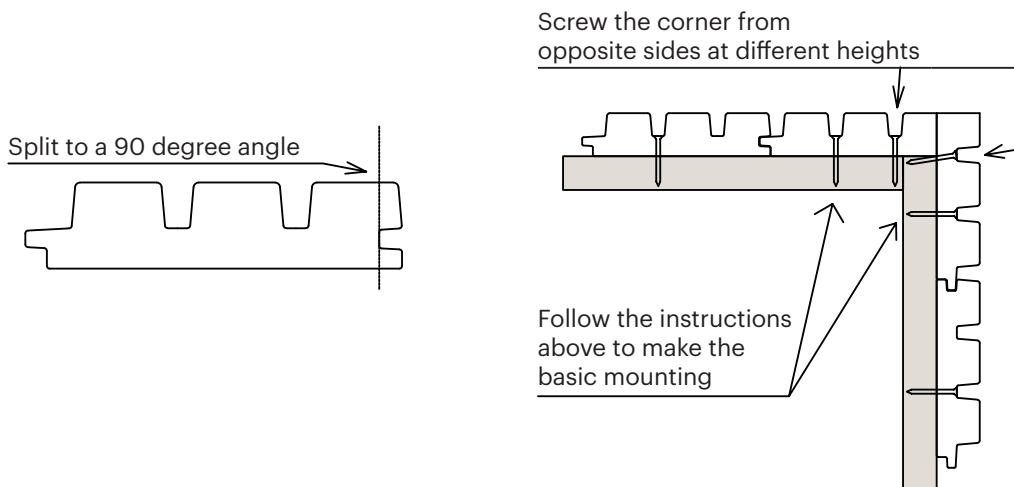
Miter 60 degree corner:



Miter 90 degree corner:



Basic 90 degree corner:

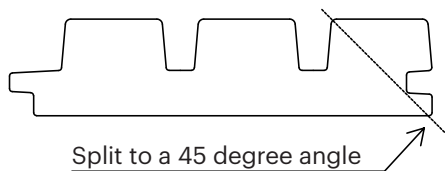


LUNA TRIPLE 2x6

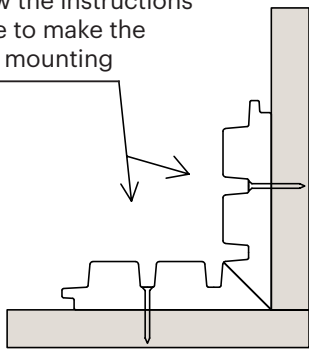
Guideline for Luna Triple installation

3 ways to install internal corners

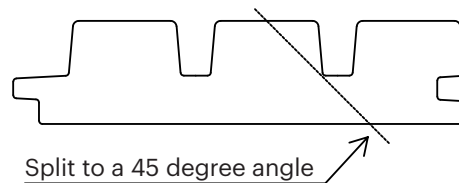
1st way:



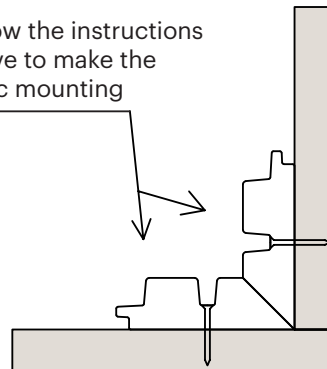
Follow the instructions above to make the basic mounting



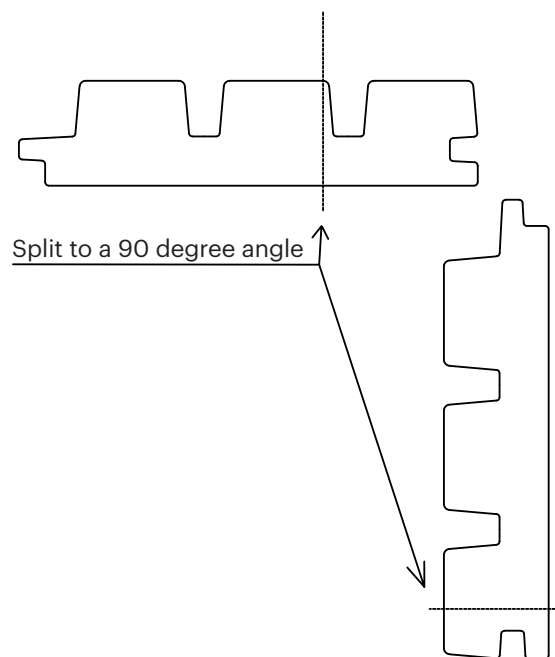
2nd way:



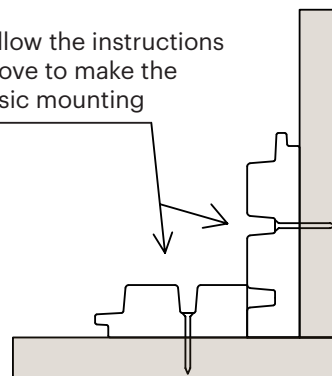
Follow the instructions above to make the basic mounting



3rd way:

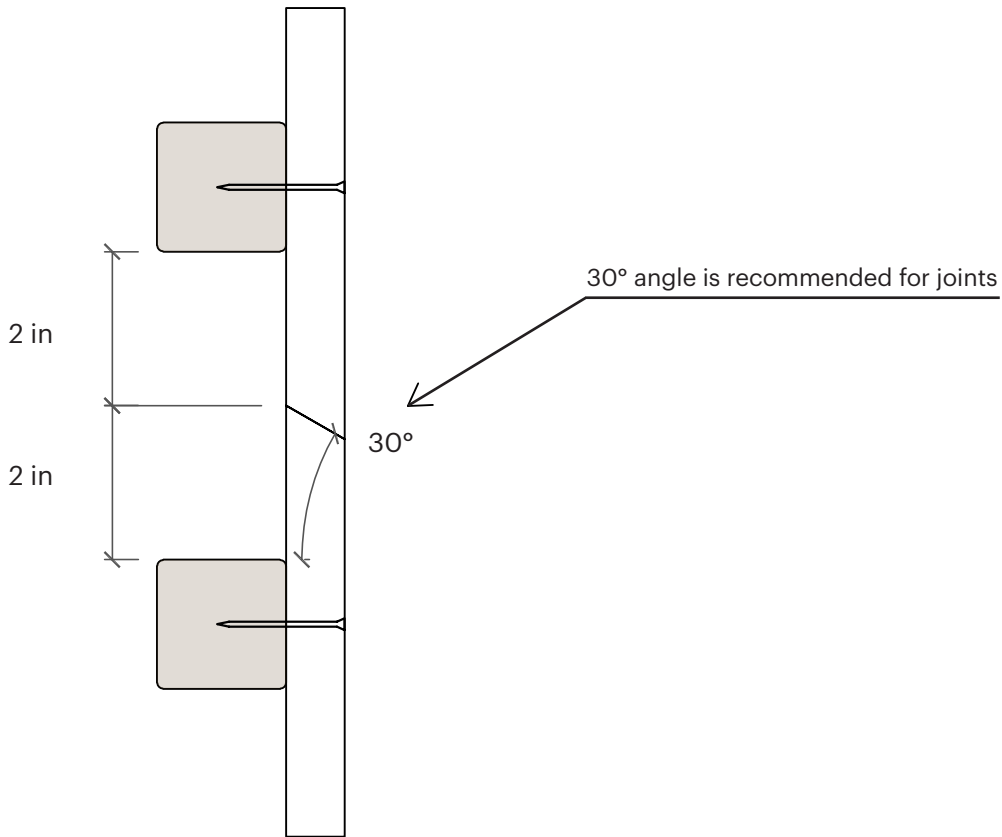


Follow the instructions above to make the basic mounting

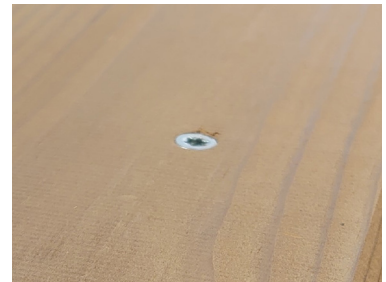
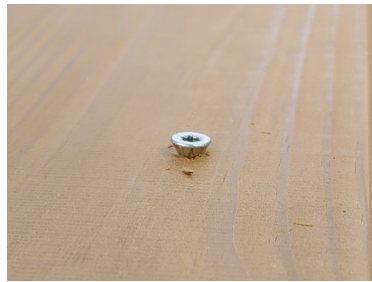


Provide adequate support structure in accordance with your local building regulations. Do not install lamps or other heavy objects directly to the product.

General board joint guideline



Fasten nails/screws to the correct depth



This brochure is provided for informational purposes only and no liability or responsibility of any kind is accepted by Lunawood or its representatives, although Lunawood has taken reasonable efforts to verify the accuracy of any advice, recommendation, or information. Lunawood reserves the right to alter its products, product information and product range without prior notice.