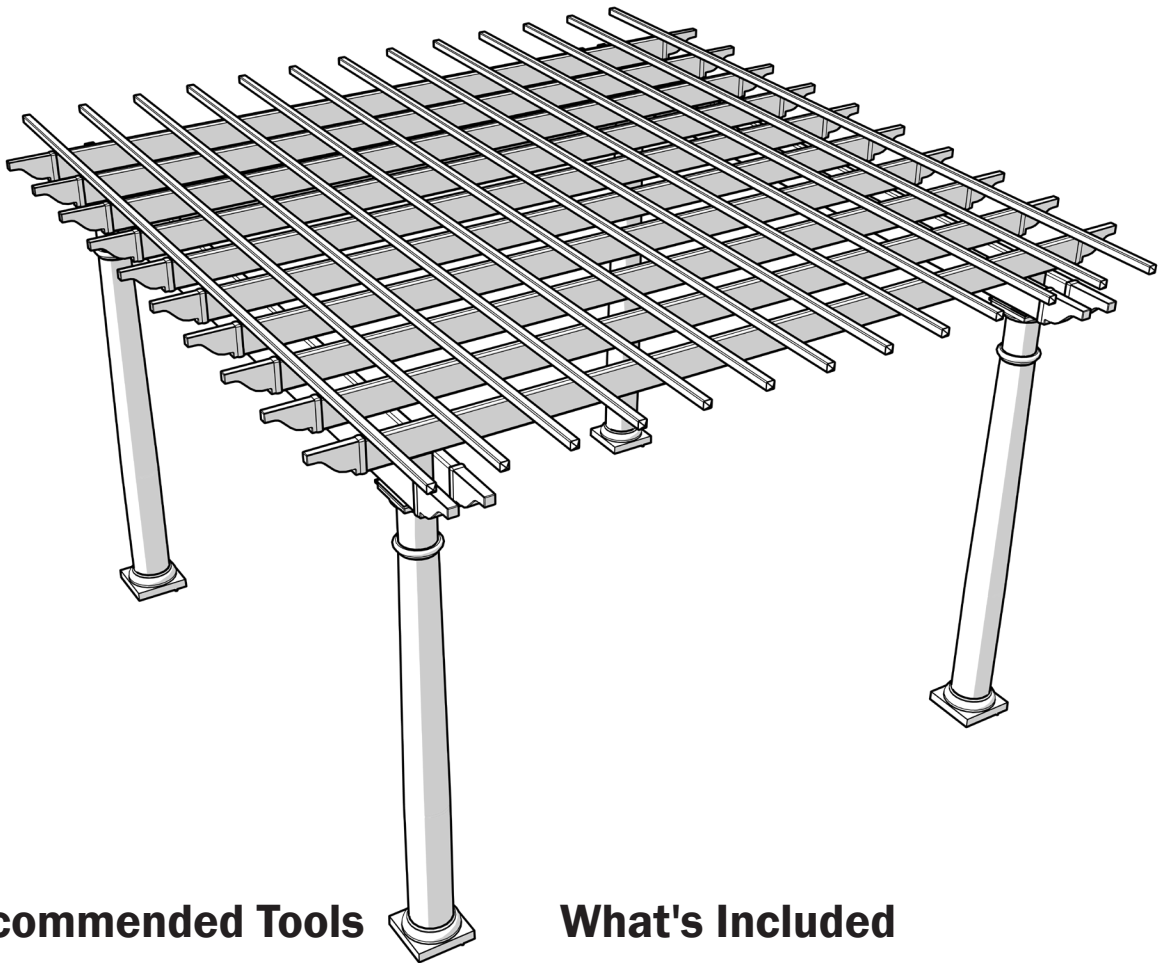




SUPERIOR™
PLASTIC PRODUCTS

Structural
VINYL PERGOLA
SuperiorPlasticProducts.com



Recommended Tools

- Safety Glasses
- Tape Measure & Level
- Power Drill w/ ($\frac{1}{8}$ ", $\frac{1}{4}$ ", $\frac{5}{8}$ ") bits
- Hammer Drill w/ ($\frac{1}{8}$ ") bit
- Circular Saw w/ Fine Tooth Blade
- Rubber Mallet
- Ladder

What's Included

- Vinyl Columns
- Column Mounts w/ Leveling Plates
- Vinyl Beams w/ Aluminum Channels
- Beam Mounts
- Rafters
- Vinyl Trim sets
- All fastening hardware except concrete bolts/ screws (*sold separately*)

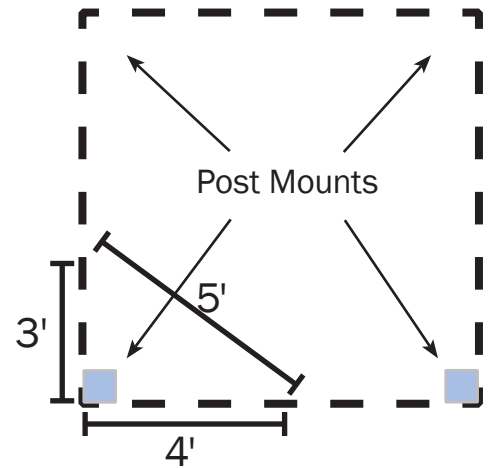
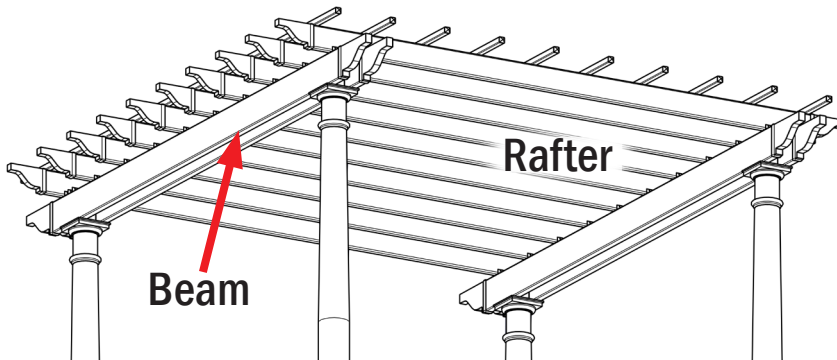
- *These directions are only a guide and may not address every situation.*
- *Always wear proper safety equipment while assembling and installing.*
- *The installer should obtain all required building permits and follow all installation procedures in accordance with applicable building code requirements.*
- *Superior Plastic Products, Inc. shall not be held liable for improper or unsafe installations.*
- *Applying paint, will void your warranty.*
- *To ensure proper coverage by our warranty please visit our website and complete the warranty form and mail to: Superior Plastic Products, Inc., 260 Jalyn Drive, New Holland, PA 17557*



WARNING: This product can expose you to chemicals including Quartz (crystalline silica), which is known to the State of California to cause cancer, and Hexavalent Chromium, which is known to the State of California to cause birth defects or other reproductive harm. For more information go to www.P65Warnings.ca.gov.

1 Column Placement

Using the measurements below, mark an outline for the column mounts. If there are more than four columns, be sure to space them evenly.



10" Tapered & 8" Straight* Column
Subtract 15 3/4" from beam length

10" Tapered & 8" Straight* Column
Subtract 15" from rafter length

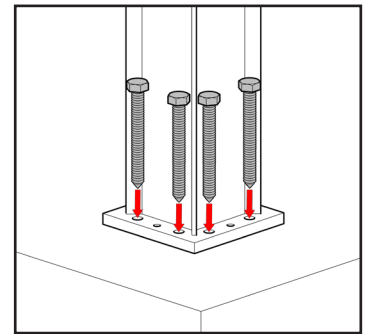
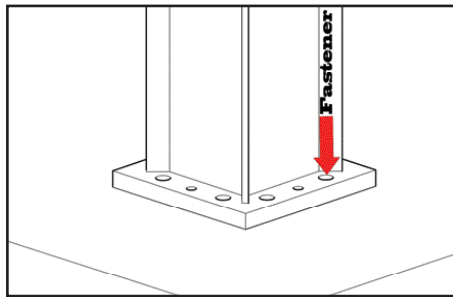
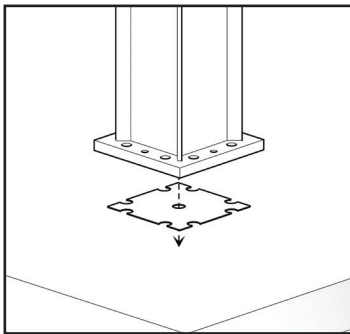
8" Tapered & 6" Straight* Column
Subtract 13 3/4" from beam length

8" Tapered & 6" Straight* Column
Subtract 13" from rafter length

Use the 3'- 4'- 5' rule, as shown, to ensure square.

**Straight includes both square and round columns*

2 Fasten Standard Column Mount

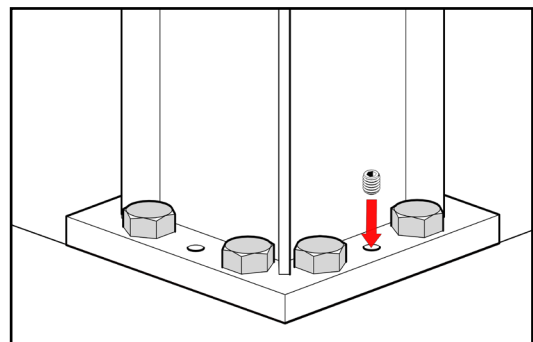


Set the Leveling Plate and Column Mount in position. Mark the hole locations, and drill holes into the concrete.

Recommend: Use 1/2" x 5" 300-series SS or hot-dipped Galvanized bolts.

3 Level Column Mount

Using a level, ensure the Column Mount is plumb using the adjustment screws.



ALT Place Concrete Column Mount

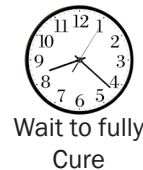
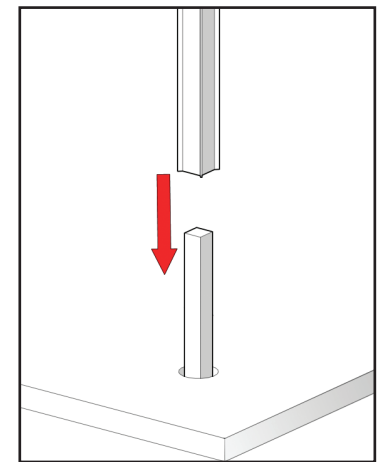
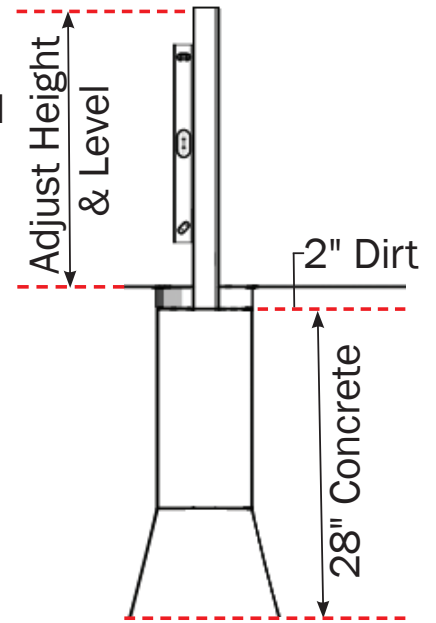
Note: We recommend a 4" x 4" x 54" Pressure treated wood Post should be used for the following steps.

Dig 9" diameter holes at each marked position. A proper depth should allow the bottom of the hole to fall beneath the frost line (*recommended 30"*). Bell out bottom of holes to help prevent frost uplift.

To ensure proper Post depth Fill the hole with approximately half the recommended concrete, then place the Post. Measure height of Post, and adjust to correctness (*Recommended 24"* above ground). Check and adjust level. Fill remaining space around the Post with concrete until approximately 2" remains.

Move on to the next Post, and repeat process. Once all Posts have been installed, double check each Post for correct level and height. Adjust as necessary.

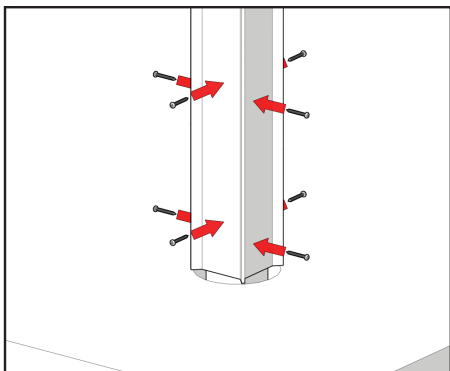
Note: Concrete must be allowed to fully cure prior to installing fencing sections. (*Refer to manufacturer recommendations*)



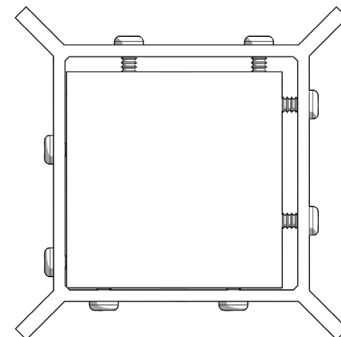
ALT Fasten Concrete Column Mount

Fasten the outward facing sides first; which should then butt up against the 4" x 4" Post in the corner.

Stagger screws so that they are not aligned with one another, thus covering more surface area of the Column.

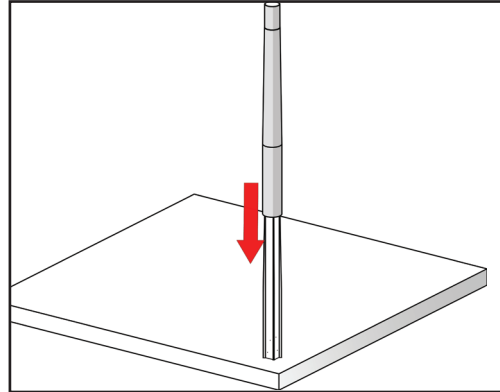
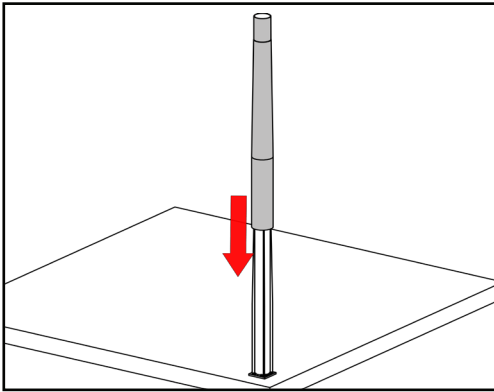


Use #14 x 2"
Wood Screws
(*not provided*)

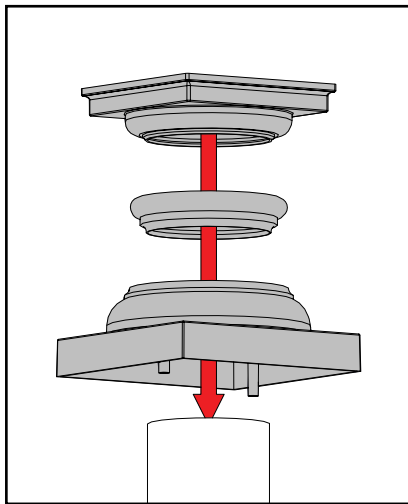


4 Place Column

Place the column over the column mount.

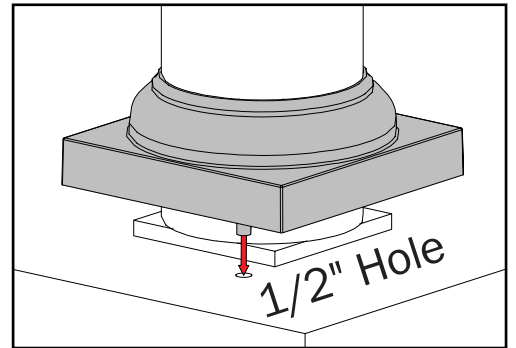


5 Place Trim



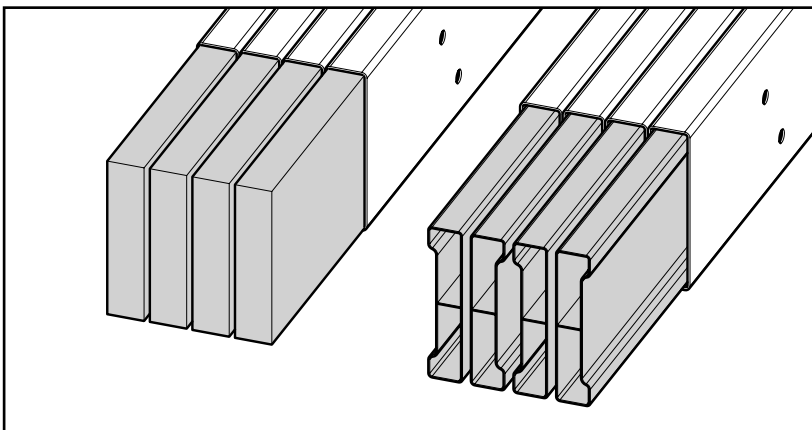
Place the bottom, mid (*if used*), and top Trim Rings over the top of the Column.

6 Bottom Trim Placement



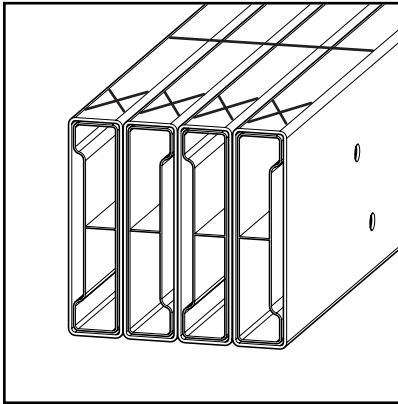
Square up the bottom Trim Ring and mark the placement of 2 Trim guide holes. Use a hammer drill with 1/2" masonry bit to drill a hole for each guide.

7 Insert Structural Support



Insert lumber or structural Aluminum Channel. The flat sides of the Channels should face each other, as shown.

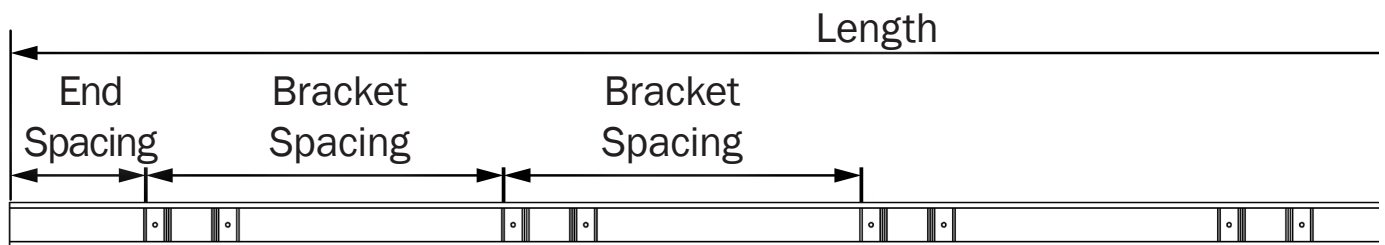
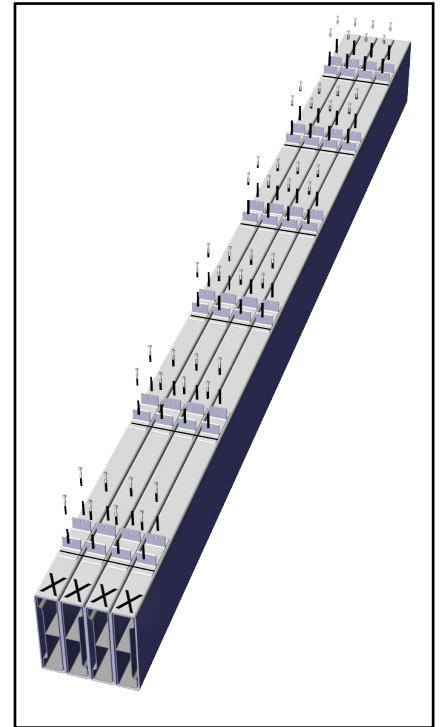
8 Mark Beams (use chart below)



Align the ends of the Beams using a square, then clamp them together. Mark one end of the Beams with an X. Using the chart below, draw a line across all Beams at applicable intervals.

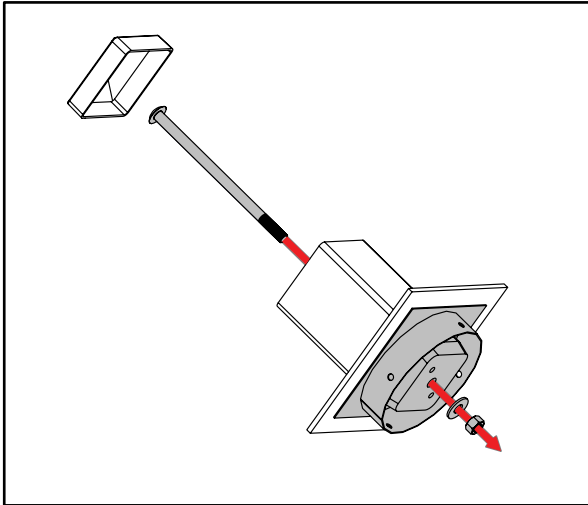
9 Attach Stringer Brackets

Attach the Stringer Brackets as shown. See the chart below for Bracket spacing.



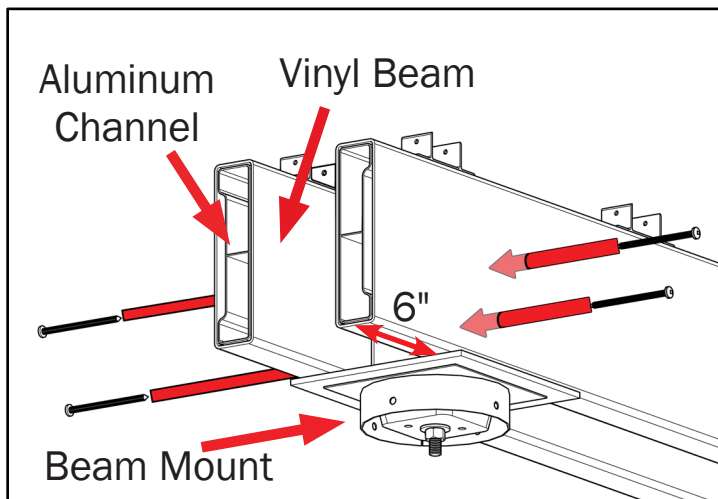
Beam Length	Bracket Spacing	End Spacing	Rafters Required
8'	14"	3 ⁷ / ₈ "	7
10'	15 ¹ / ₂ "	3 ⁵ / ₈ "	8
12'	14 ³ / ₄ "	3 ¹ / ₂ "	10
16'	15"	3 ⁷ / ₈ "	13
20'	15 ¹ / ₄ "	3 ¹ / ₂ "	16
24'	15 ¹ / ₄ "	4 ⁵ / ₈ "	19

10 Insert Beam Mount Bolt



Remove Beam Mount cap, then fasten bolt through beam mount and re-attach cap.

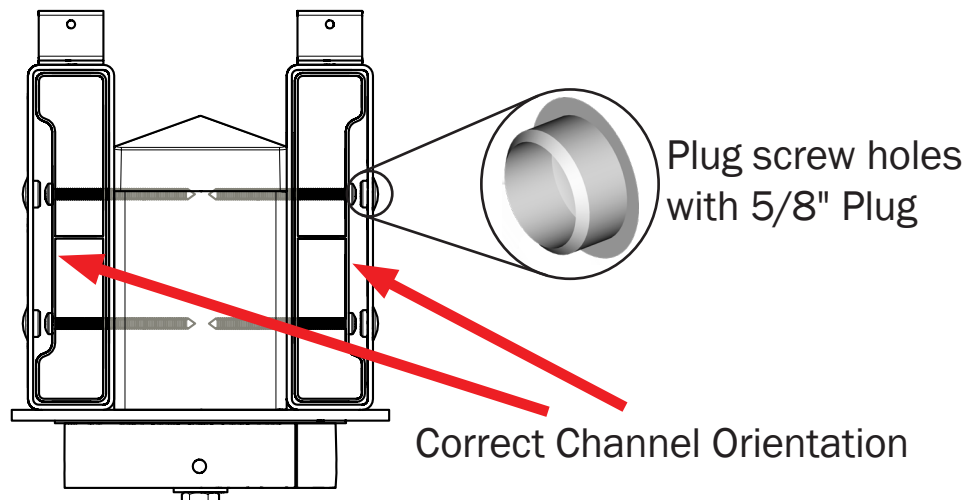
11 Attach Beams



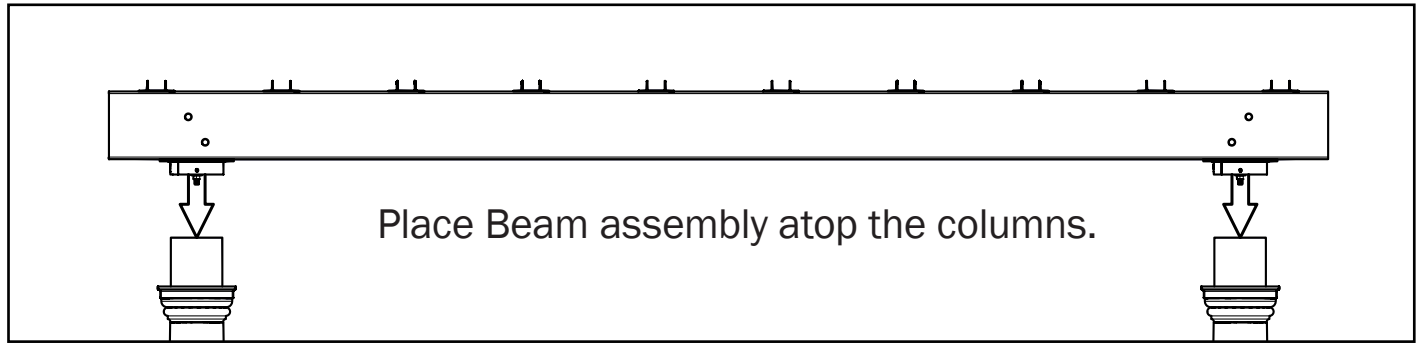
1. Predrill **1/8" dia. hole** through Vinyl Beam and Aluminum Channel and 1½" into Beam Mount.
2. Predrill **1/4" dia. hole** through Vinyl Beam and Aluminum Channel.
3. Predrill **5/8" dia. hole** through outside wall of Vinyl Beam only.

Edge of the beam mount should be 6" from the end of the beams.

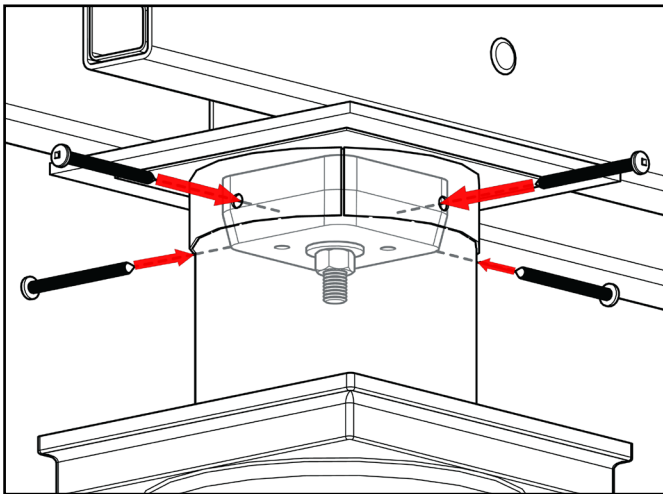
Orient the beam so the indent in the channel is facing away from the beam mount and the stringer brackets are up.



12 Place Beam Set



13 Attach Beam Mount



At screw holes in Beam Mount Collar.

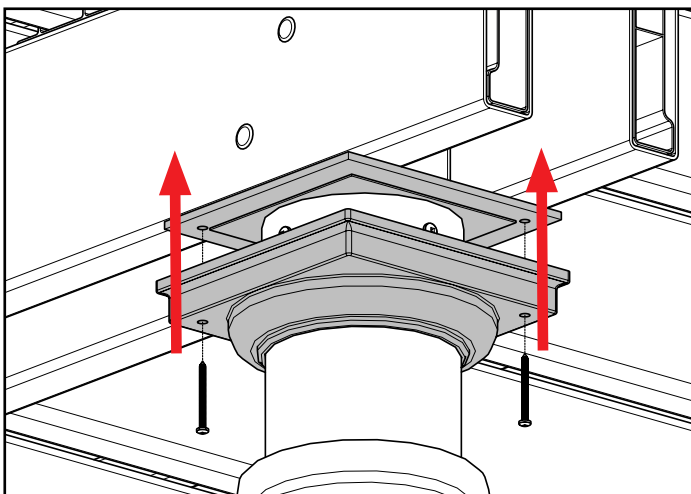
1. Pre-drill **1/8" dia. hole** through Vinyl Column and Aluminum Mount $1\frac{1}{2}$ " into Beam Mount Poly Block.

2. Pre-drill **1/4" dia. hole** through Vinyl Column and Aluminum Mount, but **not** into the Poly Block.

(1/4" x 3" Screws)

(1/4" x 4" Screws for 10" Straight Column)

14 Attach Top Trim

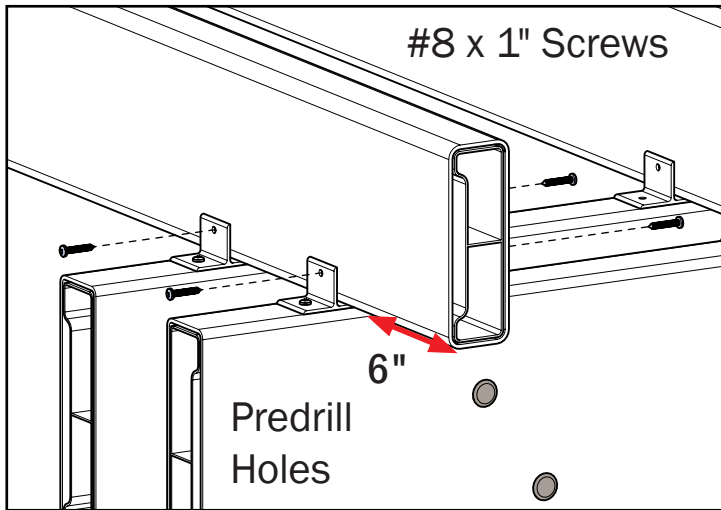


Pre-drill 1/8" hole through Vinyl Trim, Poly Plate, & Vinyl Beam into Aluminum Channel.

Use #8 x 2" Screws

15

Attach Rafters

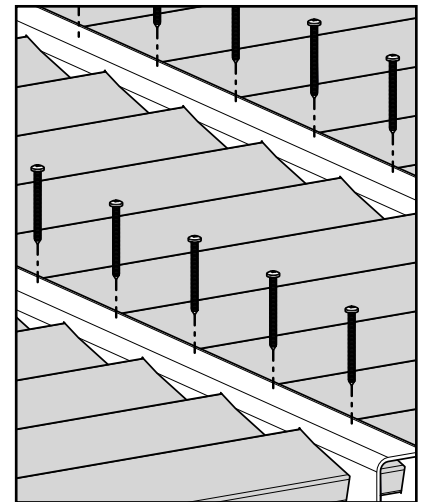
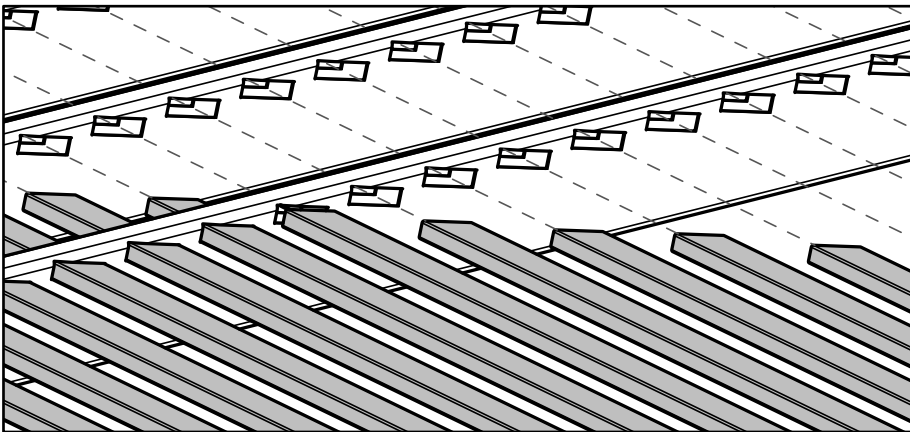


Leave 6" from the edge of the outside Beam to the end of each Rafter, drive a #8 x 1" screw through the hole in the Stringer Bracket through the Vinyl Rafter into the Aluminum Channel.

Recommended: Drive the screw in reverse through the vinyl, then, drive it forward into the aluminum.

i

Louvered Roof



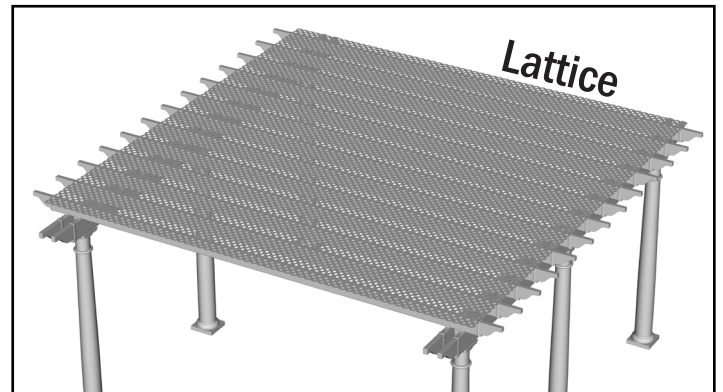
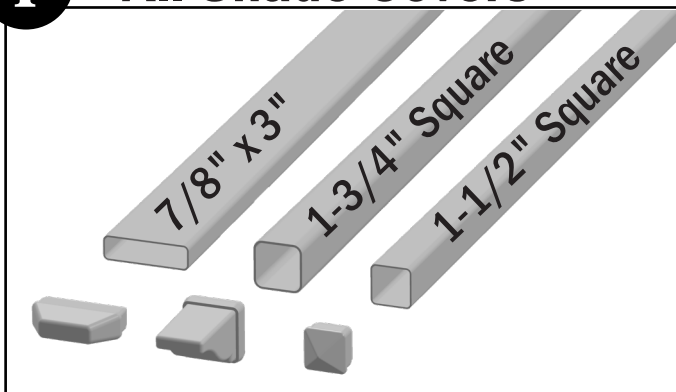
Insert 7/8" x 3" Louver through the hole in each rafter.

Center each Shade with equal end spacing then fasten each Shade with a #8 x 2" screw along each end Rafter.

#8 x 2" Screws

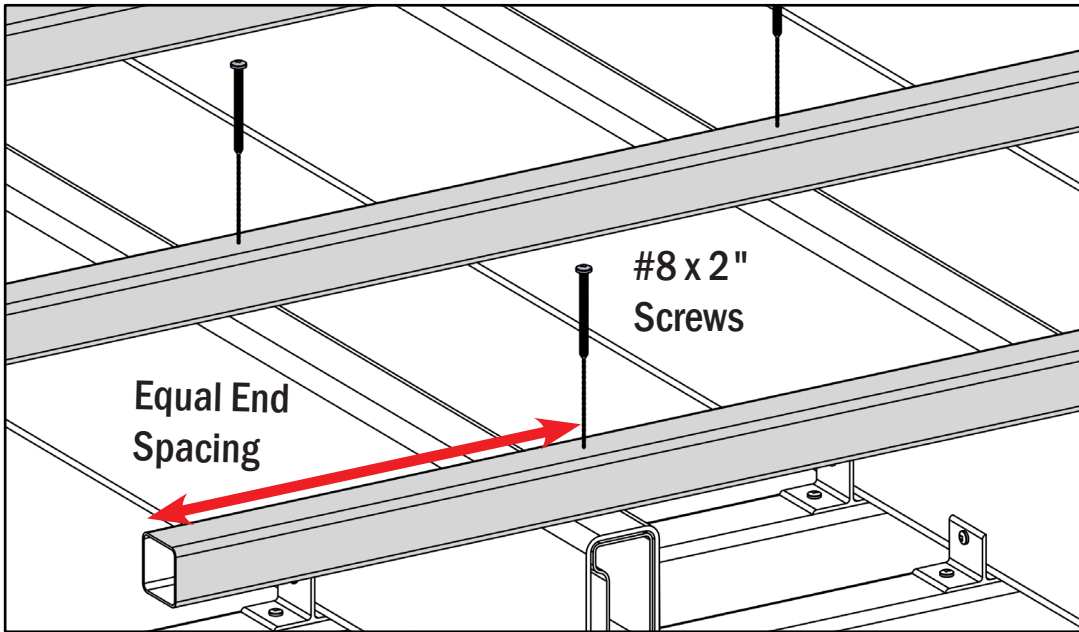
i

All Shade Covers



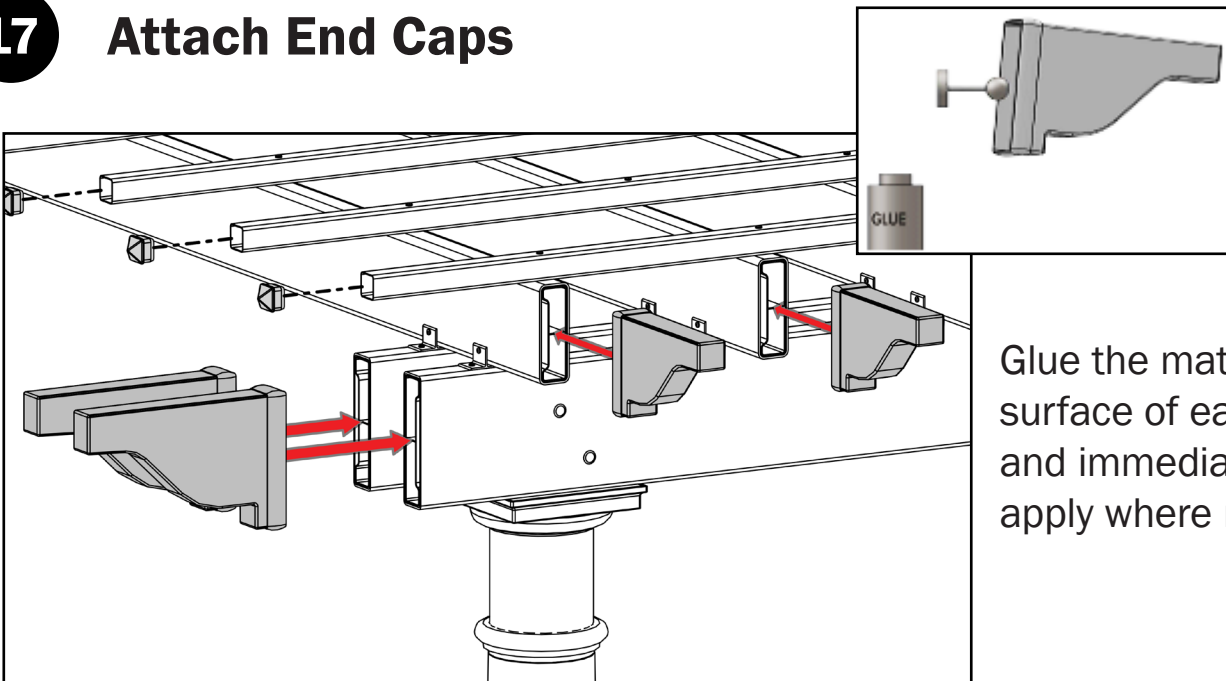
16

Attach Shade Cover



17

Attach End Caps





260 Jalyn Drive • New Holland, PA 17557

SuperiorPlasticProducts.com